

4AC13L

FORM NO. A4AC13L-7,8 - 100 (09/2012)

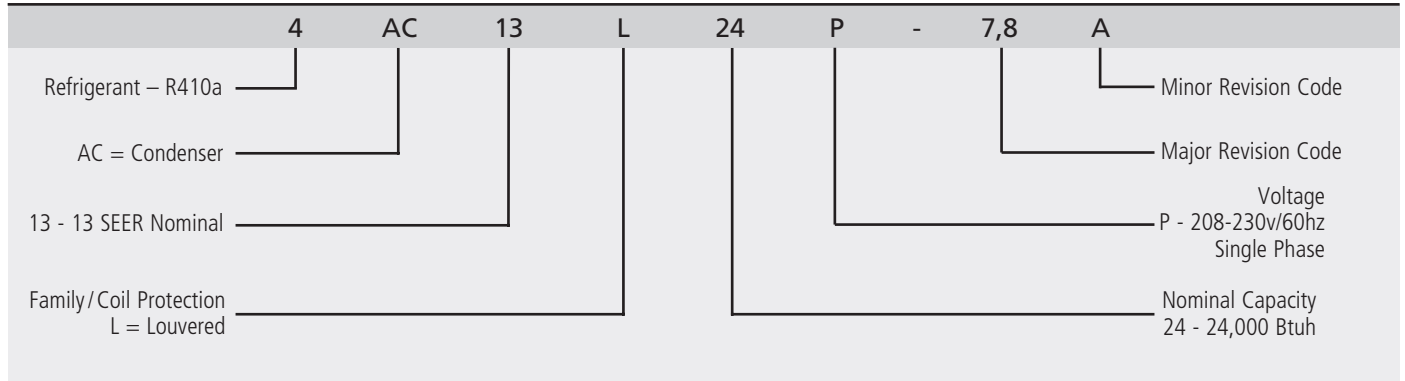
Features and Benefits

- R410a Refrigerant
- High-quality condenser coil with copper tubing and enhanced louvered fin for maximum heat transfer capacity
- Top discharge directs hot air away from living area and shrubbery
- All units factory run tested
- Available with louvered panel coil protection option
- Easy access to electrical panels
- Corner mounted service valves for easy hook-up and service
- Liquid line filter drier shipped loose
- Charged for 15 feet of interconnecting tubing
- All units ETL and ETLIC approved and AHRI certified



13 SEER Split System Air Conditioner

Model Number Guide



Electrical and Physical Data

| Model | Voltage/ Hz/ Phase | Voltage Range | Min. Circuit (Amps) | Max. Fuse (Amps)† | Compressor | | Fan Motor | | | Refrig. Charge (oz.)† † | Shipping Weight (lbs.) |
|----------------|--------------------|---------------|---------------------|-------------------|-------------------|---------------------|------------------|----------|----------|-------------------------|------------------------|
| | | | | | Rated Load (Amps) | Locked Rotor (Amps) | Full Load (Amps) | Rated HP | Nom. RPM | | Louvered |
| 4AC13*18P-7, 8 | 208-230/60/1 | 197-253 | 10.90 | 15 | 8.1 | 39 | 0.7 | 1/10 | 1010 | 62 | 136 |
| 4AC13*24P-7, 8 | 208-230/60/1 | 197-253 | 14.10 | 20 | 10.7 | 53 | 0.7 | 1/10 | 1010 | 63 | 137 |
| 4AC13*30P-7, 8 | 208-230/60/1 | 197-253 | 15.60 | 25 | 11.6 | 59 | 1.1 | 1/5 | 1090 | 82 | 147 |
| 4AC13*36P-7, 8 | 208-230/60/1 | 197-253 | 20.10 | 35 | 15.2 | 70 | 1.1 | 1/5 | 1090 | 84 | 149 |
| 4AC13*42P-7, 8 | 208-230/60/1 | 197-253 | 28.10 | 45 | 21.1 | 90 | 1.7 | 1/4 | 825 | 104 | 194 |
| 4AC13*48P-7, 8 | 208-230/60/1 | 197-253 | 31.90 | 50 | 24.1 | 100 | 1.7 | 1/4 | 825 | 124 | 192 |
| 4AC13*60P-7, 8 | 208-230/60/1 | 197-253 | 29.40 | 50 | 22.1 | 120 | 1.7 | 1/4 | 830 | 144 | 205 |

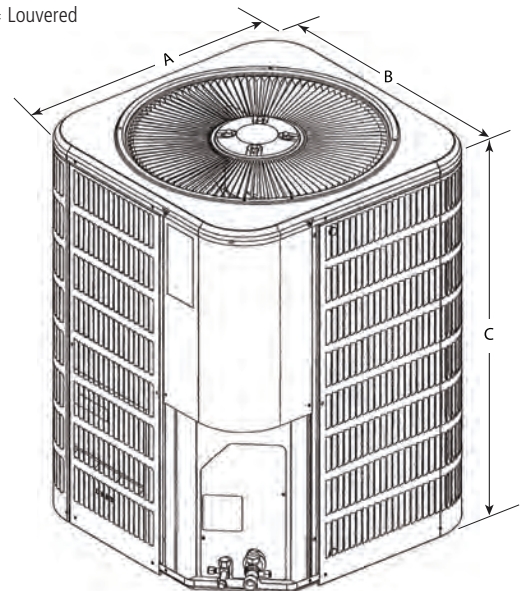
† Overcurrent protection device

† † Factory charge adequate for 15 feet of line set. Adjust per Installation Instructions.

* = Louvered

Unit Dimensions & Sound Ratings

| Model | Dimensions | | | Sound Ratings (dBA) |
|----------------|-----------------|-----------------|------------------|---------------------|
| | A - width (in.) | B - depth (in.) | C - height (in.) | |
| 4AC13*18P-7, 8 | 24.25 | 24.25 | 25 | 74 |
| 4AC13*24P-7, 8 | 24.25 | 24.25 | 25 | 74 |
| 4AC13*30P-7, 8 | 24.25 | 24.25 | 29 | 74 |
| 4AC13*36P-7, 8 | 24.25 | 24.25 | 29 | 74 |
| 4AC13*42P-7, 8 | 28.25 | 28.25 | 29 | 79 |
| 4AC13*48P-7, 8 | 28.25 | 28.25 | 33 | 79 |
| 4AC13*60P-7, 8 | 28.25 | 28.25 | 29 | 80 |



* = Louvered

Note: Dimensions listed are unit sizes w/o packaging

Cooling Performance with Evaporator Coils

| Outdoor Model | Indoor Model | SEER | EER | Rated AHRI Capacity ¹ BTUH | Rated Sensible Capacity BTUH | CFM | Refrigerant Connection | | | | Refrigerant Line Size | | Indoor Metering Device | |
|----------------|------------------------------|-------|-------|---------------------------------------|------------------------------|------|------------------------|--------|---------|--------|-----------------------|------------|------------------------|---------|
| | Evaporator Coil ³ | | | | | | Outdoor | | Indoor | | Suction | Liquid | Piston ² | TXV |
| | | | | | | | Suction | Liquid | Suction | Liquid | | | | |
| 4AC13*18P-7, 8 | E(C,H,M,U)1P23(A,B)+TDR | 13.00 | 11.00 | 17600 | 12800 | 650 | 5/8 | 3/8 | 3/4 | 3/8 | 5/8 | 3/8 or 1/4 | 0.053 | A4TXV01 |
| | E(C,M,U)1P24(A,B)+TDR | 13.00 | 11.00 | 17600 | 12800 | 650 | 5/8 | 3/8 | 3/4 | 3/8 | 5/8 | 3/8 or 1/4 | 0.053 | A4TXV01 |
| | E(C,H,M,U)1P29A+TDR | 13.00 | 11.00 | 17600 | 12800 | 650 | 5/8 | 3/8 | 3/4 | 3/8 | 5/8 | 3/8 or 1/4 | 0.053 | A4TXV01 |
| 4AC13*24P-7, 8 | E(C,H,M,U)1P23(A,B)+TDR | 13.00 | 11.00 | 22800 | 16800 | 800 | 5/8 | 3/8 | 3/4 | 3/8 | 5/8 | 3/8 or 1/4 | 0.057 | A4TXV01 |
| | E(C,M,U)1P24(A,B)+TDR | 13.00 | 11.00 | 22800 | 16800 | 800 | 5/8 | 3/8 | 3/4 | 3/8 | 5/8 | 3/8 or 1/4 | 0.057 | A4TXV01 |
| | E(C,H,M,U)1P29A+TDR | 13.00 | 11.00 | 22800 | 16800 | 800 | 5/8 | 3/8 | 3/4 | 3/8 | 5/8 | 3/8 or 1/4 | 0.057 | A4TXV01 |
| | E(C,M,U)1P30(A,B)+TDR | 13.00 | 11.00 | 22800 | 16800 | 800 | 5/8 | 3/8 | 3/4 | 3/8 | 5/8 | 3/8 or 1/4 | 0.057 | A4TXV01 |
| | E(C,H,M,U)1P36(A,B,C)+TDR | 13.00 | 11.00 | 22800 | 16800 | 800 | 5/8 | 3/8 | 3/4 | 3/8 | 5/8 | 3/8 or 1/4 | 0.057 | A4TXV01 |
| 4AC13*30P-7, 8 | E(C,H,M,U)1P23(A,B)+TDR | 13.00 | 11.00 | 28000 | 20400 | 1000 | 3/4 | 3/8 | 3/4 | 3/8 | 3/4 | 3/8 | 0.063 | A4TXV01 |
| | E(C,M,U)1P24(A,B)+TDR | 13.00 | 11.00 | 28000 | 20400 | 1000 | 3/4 | 3/8 | 3/4 | 3/8 | 3/4 | 3/8 | 0.063 | A4TXV01 |
| | E(C,H,M,U)1P29A+TDR | 13.00 | 11.00 | 28000 | 20400 | 1000 | 3/4 | 3/8 | 3/4 | 3/8 | 3/4 | 3/8 | 0.063 | A4TXV01 |
| | E(C,M,U)1P30(A,B)+TDR | 13.00 | 11.00 | 28000 | 20400 | 1000 | 3/4 | 3/8 | 3/4 | 3/8 | 3/4 | 3/8 | 0.063 | A4TXV01 |
| | E(C,H,M,U)1P36(A,B,C)+TDR | 13.00 | 11.00 | 28000 | 20400 | 1000 | 3/4 | 3/8 | 3/4 | 3/8 | 3/4 | 3/8 | 0.063 | A4TXV01 |
| 4AC13*36P-7, 8 | E(C,H,M,U)1P36(B,C)+TDR | 13.00 | 11.00 | 34000 | 25000 | 1200 | 3/4 | 3/8 | 7/8 | 3/8 | 3/4 | 3/8 | 0.072 | A4TXV01 |
| | E(C,H,M,U)1P43(B,C)+TDR | 13.00 | 11.00 | 34000 | 25000 | 1200 | 3/4 | 3/8 | 7/8 | 3/8 | 3/4 | 3/8 | 0.072 | A4TXV01 |
| | E(C,H,M,U)1P50C+TDR | 13.00 | 11.00 | 34000 | 25000 | 1200 | 3/4 | 3/8 | 7/8 | 3/8 | 3/4 | 3/8 | 0.072 | A4TXV01 |
| 4AC13*42P-7, 8 | E(C,H,M,U)1P43C+TDR | 13.00 | 11.00 | 40000 | 29200 | 1400 | 3/4 | 3/8 | 7/8 | 3/8 | 3/4 | 3/8 | 0.075 | A4TXV01 |
| | E(C,H,U)1P49C+TDR | 13.00 | 11.00 | 40000 | 29200 | 1400 | 3/4 | 3/8 | 7/8 | 3/8 | 3/4 | 3/8 | 0.075 | A4TXV01 |
| | E(C,H,M,U)1P50C+TDR | 13.00 | 11.00 | 40000 | 29200 | 1400 | 3/4 | 3/8 | 7/8 | 3/8 | 3/4 | 3/8 | 0.075 | A4TXV01 |
| 4AC13*48P-7, 8 | E(C,H,U)1P49C+TDR | 13.00 | 11.00 | 47000 | 34300 | 1600 | 7/8 | 3/8 | 7/8 | 3/8 | 7/8 | 3/8 | 0.082 | A4TXV02 |
| | E(C,H,U)1P62C+TDR | 13.00 | 11.00 | 47000 | 34300 | 1600 | 7/8 | 3/8 | 7/8 | 3/8 | 7/8 | 3/8 | 0.082 | A4TXV02 |
| | E(C,H,U)1P62D+TDR | 13.00 | 11.00 | 47000 | 34300 | 1600 | 7/8 | 3/8 | 7/8 | 3/8 | 7/8 | 3/8 | 0.082 | A4TXV02 |
| 4AC13*60P-7, 8 | E(C,H,U)1P49C+TDR | 13.00 | 11.00 | 57000 | 41000 | 1800 | 7/8 | 3/8 | 7/8 | 3/8 | 7/8 | 3/8 | 0.090 | A4TXV02 |
| | E(C,H,U)1P62C+TDR | 13.00 | 11.00 | 57000 | 41000 | 1800 | 7/8 | 3/8 | 7/8 | 3/8 | 7/8 | 3/8 | 0.090 | A4TXV02 |
| | E(C,H,U)1P62D+TDR | 13.00 | 11.00 | 57000 | 41000 | 1800 | 7/8 | 3/8 | 7/8 | 3/8 | 7/8 | 3/8 | 0.090 | A4TXV02 |

¹Certified in accordance with Unitary Air Conditioner Certification Program, which is based on AHRI Standard 210/240.

²Required to achieve AHRI rating.

³A blower time delay relay is required to achieve AHRI rating. This feature is standard on all Allied Air Enterprises furnace and Air Handler products.

* = Louvered

13 SEER Split System Air Conditioner

Cooling Performance with Air Handlers and Furnaces 18

| Outdoor Model | Indoor Model | Variable Speed Furnace | SEER | EER | Rated ARI Capacity ¹ BTUH | Rated Sensible Capacity BTUH | CFM | Refrigerant Connection | | | | Refrigerant Line Size | | Indoor Expansion Device | | |
|-------------------|---|------------------------|-------|-------|--------------------------------------|------------------------------|-------|------------------------|--------|---------|--------|-----------------------|------------|-------------------------|---------|---------|
| | Evaporator Coil or Air Handler ³ | | | | | | | Outdoor | | Indoor | | Suction | Liquid | Piston ² | TXV | |
| | | | | | | | | Suction | Liquid | Suction | Liquid | | | | | |
| 4AC13L 18P-7,8 | BCS2M18C****P | | 13.00 | 11.00 | 17600 | 12800 | 650 | 5/8 | 3/8 | 3/4 | 3/8 | 5/8 | 3/8 or 1/4 | 0.053 | A4TXV01 | |
| | BCS3M18C****P | | 13.00 | 11.00 | 17600 | 12800 | 650 | 5/8 | 3/8 | 3/4 | 3/8 | 5/8 | 3/8 or 1/4 | 0.053 | A4TXV01 | |
| | BCE3M18C****P | | 13.00 | 11.00 | 17600 | 12800 | 650 | 5/8 | 3/8 | 3/4 | 3/8 | 5/8 | 3/8 or 1/4 | 0.053 | A4TXV01 | |
| | BCS2M24V****P | | 14.00 | 12.00 | 17600 | 12800 | 650 | 5/8 | 3/8 | 3/4 | 3/8 | 5/8 | 3/8 or 1/4 | 0.053 | A4TXV01 | |
| | E(C,H,M,U)1P23B | EFV08BC | | 14.00 | 12.00 | 17600 | 12800 | 650 | 5/8 | 3/8 | 3/4 | 3/8 | 5/8 | 3/8 or 1/4 | 0.053 | A4TXV01 |
| | E(C,H,M,U)1P23A | A80DF1E045A12 | | 13.50 | 11.50 | 17600 | 12800 | 650 | 5/8 | 3/8 | 3/4 | 3/8 | 5/8 | 3/8 or 1/4 | 0.053 | A4TXV01 |
| | E(C,H,M,U)1P23B | A80DF1E070B12 | | 14.00 | 12.00 | 17600 | 12800 | 650 | 5/8 | 3/8 | 3/4 | 3/8 | 5/8 | 3/8 or 1/4 | 0.053 | A4TXV01 |
| | E(C,H,M,U)1P23A | A80DF2V070A12 | | 14.00 | 12.00 | 17600 | 12800 | 650 | 5/8 | 3/8 | 3/4 | 3/8 | 5/8 | 3/8 or 1/4 | 0.053 | A4TXV01 |
| | E(C,H,M,U)1P23A | A80UH1E045A12* | | 14.00 | 12.00 | 17600 | 12800 | 650 | 5/8 | 3/8 | 3/4 | 3/8 | 5/8 | 3/8 or 1/4 | 0.053 | A4TXV01 |
| | E(C,H,M,U)1P23B | A80UH1E070B12* | | 14.00 | 12.00 | 17600 | 12800 | 650 | 5/8 | 3/8 | 3/4 | 3/8 | 5/8 | 3/8 or 1/4 | 0.053 | A4TXV01 |
| | E(C,H,M,U)1P23A | A80UH2V070A12 | | 14.00 | 12.00 | 17600 | 12800 | 650 | 5/8 | 3/8 | 3/4 | 3/8 | 5/8 | 3/8 or 1/4 | 0.053 | A4TXV01 |
| | E(C,H,M,U)1P23B | A80UH2V090B12 | | 14.00 | 12.00 | 17600 | 12800 | 650 | 5/8 | 3/8 | 3/4 | 3/8 | 5/8 | 3/8 or 1/4 | 0.053 | A4TXV01 |
| | E(C,H,M,U)1P23B | A80UH2V090B16 | | 14.00 | 12.00 | 17600 | 12800 | 650 | 5/8 | 3/8 | 3/4 | 3/8 | 5/8 | 3/8 or 1/4 | 0.053 | A4TXV01 |
| | E(C,H,M,U)1P23B | A95DF1E045B12S | | 13.50 | 11.50 | 17600 | 12800 | 650 | 5/8 | 3/8 | 3/4 | 3/8 | 5/8 | 3/8 or 1/4 | 0.053 | A4TXV01 |
| | E(C,H,M,U)1P23B | A95DF2V045B12S | | 14.00 | 12.00 | 17600 | 12800 | 650 | 5/8 | 3/8 | 3/4 | 3/8 | 5/8 | 3/8 or 1/4 | 0.053 | A4TXV01 |
| | E(C,H,M,U)1P23B | A95DF2V070B16S | | 14.00 | 12.00 | 17600 | 12800 | 650 | 5/8 | 3/8 | 3/4 | 3/8 | 5/8 | 3/8 or 1/4 | 0.053 | A4TXV01 |
| | E(C,H,M,U)1P23B | A95UH1E045B12S | | 13.50 | 11.50 | 17600 | 12800 | 650 | 5/8 | 3/8 | 3/4 | 3/8 | 5/8 | 3/8 or 1/4 | 0.053 | A4TXV01 |
| | E(C,H,M,U)1P23B | A95UH1E070B12S | | 14.00 | 12.00 | 17600 | 12800 | 650 | 5/8 | 3/8 | 3/4 | 3/8 | 5/8 | 3/8 or 1/4 | 0.053 | A4TXV01 |
| | E(C,H,M,U)1P23B | A95UH2V045B12S | | 14.00 | 12.00 | 17600 | 12800 | 650 | 5/8 | 3/8 | 3/4 | 3/8 | 5/8 | 3/8 or 1/4 | 0.053 | A4TXV01 |
| | E(C,H,M,U)1P23B | A95UH2V070B12S | | 14.00 | 12.00 | 17600 | 12800 | 650 | 5/8 | 3/8 | 3/4 | 3/8 | 5/8 | 3/8 or 1/4 | 0.053 | A4TXV01 |
| | E(C,H,M,U)1P23B | A97DSMV070B12 | | 14.00 | 12.00 | 17600 | 12800 | 650 | 5/8 | 3/8 | 3/4 | 3/8 | 5/8 | 3/8 or 1/4 | 0.053 | A4TXV01 |
| | E(C,H,M,U)1P23B | A97USMV070B12 | | 14.00 | 12.00 | 17600 | 12800 | 650 | 5/8 | 3/8 | 3/4 | 3/8 | 5/8 | 3/8 or 1/4 | 0.053 | A4TXV01 |
| | E(C,H,M,U)1P23B | A96DFMV070B12 | | 14.00 | 12.00 | 17600 | 12800 | 650 | 5/8 | 3/8 | 3/4 | 3/8 | 5/8 | 3/8 or 1/4 | 0.053 | A4TXV01 |
| | E(C,H,M,U)1P23B | A96UHMV070B12 | | 14.00 | 12.00 | 17600 | 12800 | 650 | 5/8 | 3/8 | 3/4 | 3/8 | 5/8 | 3/8 or 1/4 | 0.053 | A4TXV01 |
| | E(C,H,M,U)1P23B | LB*80*84/95V14 | | 14.00 | 12.00 | 17600 | 12800 | 650 | 5/8 | 3/8 | 3/4 | 3/8 | 5/8 | 3/8 or 1/4 | 0.053 | A4TXV01 |
| | E(C,H,M,U)1P23B | LH*80*84/95V12 | | 14.00 | 12.00 | 17600 | 12800 | 650 | 5/8 | 3/8 | 3/4 | 3/8 | 5/8 | 3/8 or 1/4 | 0.053 | A4TXV01 |
| | E(C,H,M,U)1P23B | LUF80*57/72V12 | | 14.00 | 12.00 | 17600 | 12800 | 650 | 5/8 | 3/8 | 3/4 | 3/8 | 5/8 | 3/8 or 1/4 | 0.053 | A4TXV01 |
| | E(C,H,M,U)1P23B | LUF80*84/95V14 | | 14.00 | 12.00 | 17600 | 12800 | 650 | 5/8 | 3/8 | 3/4 | 3/8 | 5/8 | 3/8 or 1/4 | 0.053 | A4TXV01 |
| | E(C,H,M,U)1P24B | EFV08BC | | 14.00 | 12.00 | 17600 | 12800 | 650 | 5/8 | 3/8 | 3/4 | 3/8 | 5/8 | 3/8 or 1/4 | 0.053 | A4TXV01 |
| | E(C,H,M,U)1P24A | A80DF1E045A12 | | 14.00 | 12.00 | 17600 | 12800 | 650 | 5/8 | 3/8 | 3/4 | 3/8 | 5/8 | 3/8 or 1/4 | 0.053 | A4TXV01 |

Note:

¹ Certified in accordance with Unitary Air Conditioner Certification Program, which is based on AHRI Standard 210/240

² Required to achieve AHRI rating. If NA (Not Applicable) is in the piston column, then TXV is required.

³ A blower time delay relay is required to achieve AHRI rating. This feature is standard on all Allied Air Enterprises furnace and AH products.

Cooling Performance with Air Handlers and Furnaces 18, 24

| Outdoor Model | Indoor Model | Variable Speed Furnace | SEER | EER | Rated ARI Capacity ¹ BTUH | Rated Sensible Capacity BTUH | CFM | Refrigerant Connection | | | | Refrigerant Line Size | | Indoor Expansion Device | |
|-------------------|---|------------------------|-------|-------|--------------------------------------|------------------------------|-----|------------------------|--------|---------|--------|-----------------------|------------|-------------------------|---------|
| | Evaporator Coil or Air Handler ³ | | | | | | | Outdoor | | Indoor | | Suction | Liquid | Piston ² | TXV |
| | | | | | | | | Suction | Liquid | Suction | Liquid | | | | |
| 4AC13L 18P-7,8 | E(C,H,M,U)1P24B | A80DF1E070B12 | 14.00 | 12.00 | 17600 | 12800 | 650 | 5/8 | 3/8 | 3/4 | 3/8 | 5/8 | 3/8 or 1/4 | 0.053 | A4TXV01 |
| | E(C,H,M,U)1P24A | A80DF2V070A12 | 14.00 | 12.00 | 17600 | 12800 | 650 | 5/8 | 3/8 | 3/4 | 3/8 | 5/8 | 3/8 or 1/4 | 0.053 | A4TXV01 |
| | E(C,H,M,U)1P24A | A80UH1E045A12* | 14.00 | 12.00 | 17600 | 12800 | 650 | 5/8 | 3/8 | 3/4 | 3/8 | 5/8 | 3/8 or 1/4 | 0.053 | A4TXV01 |
| | E(C,H,M,U)1P24B | A80UH1E070B12* | 14.00 | 12.00 | 17600 | 12800 | 650 | 5/8 | 3/8 | 3/4 | 3/8 | 5/8 | 3/8 or 1/4 | 0.053 | A4TXV01 |
| | E(C,H,M,U)1P24A | A80UH2V070A12 | 14.00 | 12.00 | 17600 | 12800 | 650 | 5/8 | 3/8 | 3/4 | 3/8 | 5/8 | 3/8 or 1/4 | 0.053 | A4TXV01 |
| | E(C,H,M,U)1P24B | A80UH2V090B12 | 14.00 | 12.00 | 17600 | 12800 | 650 | 5/8 | 3/8 | 3/4 | 3/8 | 5/8 | 3/8 or 1/4 | 0.053 | A4TXV01 |
| | E(C,H,M,U)1P24B | A80UH2V090B16 | 14.00 | 12.00 | 17600 | 12800 | 650 | 5/8 | 3/8 | 3/4 | 3/8 | 5/8 | 3/8 or 1/4 | 0.053 | A4TXV01 |
| | E(C,H,M,U)1P24B | A95DF1E045B12S | 13.50 | 11.00 | 17600 | 12800 | 650 | 5/8 | 3/8 | 3/4 | 3/8 | 5/8 | 3/8 or 1/4 | 0.053 | A4TXV01 |
| | E(C,H,M,U)1P24B | A95DF2V045B12S | 14.00 | 12.00 | 17600 | 12800 | 650 | 5/8 | 3/8 | 3/4 | 3/8 | 5/8 | 3/8 or 1/4 | 0.053 | A4TXV01 |
| | E(C,H,M,U)1P24B | A95DF2V070B16S | 14.00 | 12.00 | 17600 | 12800 | 650 | 5/8 | 3/8 | 3/4 | 3/8 | 5/8 | 3/8 or 1/4 | 0.053 | A4TXV01 |
| | E(C,H,M,U)1P24B | A95UH1E045B12S | 13.50 | 11.00 | 17600 | 12800 | 650 | 5/8 | 3/8 | 3/4 | 3/8 | 5/8 | 3/8 or 1/4 | 0.053 | A4TXV01 |
| | E(C,H,M,U)1P24B | A95UH1E070B12S | 14.00 | 12.00 | 17600 | 12800 | 650 | 5/8 | 3/8 | 3/4 | 3/8 | 5/8 | 3/8 or 1/4 | 0.053 | A4TXV01 |
| | E(C,H,M,U)1P24B | A95UH2V045B12S | 14.00 | 12.00 | 17600 | 12800 | 650 | 5/8 | 3/8 | 3/4 | 3/8 | 5/8 | 3/8 or 1/4 | 0.053 | A4TXV01 |
| | E(C,H,M,U)1P24B | A95UH2V070B12S | 14.00 | 12.00 | 17600 | 12800 | 650 | 5/8 | 3/8 | 3/4 | 3/8 | 5/8 | 3/8 or 1/4 | 0.053 | A4TXV01 |
| | E(C,H,M,U)1P24B | A97DSMV070B12 | 14.00 | 12.00 | 17600 | 12800 | 650 | 5/8 | 3/8 | 3/4 | 3/8 | 5/8 | 3/8 or 1/4 | 0.053 | A4TXV01 |
| | E(C,H,M,U)1P24B | A97USMV070B12 | 14.00 | 12.00 | 17600 | 12800 | 650 | 5/8 | 3/8 | 3/4 | 3/8 | 5/8 | 3/8 or 1/4 | 0.053 | A4TXV01 |
| | E(C,H,M,U)1P24B | A96DFMV070B12 | 14.00 | 12.00 | 17600 | 12800 | 650 | 5/8 | 3/8 | 3/4 | 3/8 | 5/8 | 3/8 or 1/4 | 0.053 | A4TXV01 |
| | E(C,H,M,U)1P24B | A96UHMV070B12 | 14.00 | 12.00 | 17600 | 12800 | 650 | 5/8 | 3/8 | 3/4 | 3/8 | 5/8 | 3/8 or 1/4 | 0.053 | A4TXV01 |
| | E(C,H,M,U)1P24B | LB*80*84/95V14 | 14.00 | 12.00 | 17600 | 12800 | 650 | 5/8 | 3/8 | 3/4 | 3/8 | 5/8 | 3/8 or 1/4 | 0.053 | A4TXV01 |
| | E(C,H,M,U)1P24B | LH*80*84/95V12 | 14.00 | 12.00 | 17600 | 12800 | 650 | 5/8 | 3/8 | 3/4 | 3/8 | 5/8 | 3/8 or 1/4 | 0.053 | A4TXV01 |
| | E(C,H,M,U)1P24B | LUF80*57/72V12 | 14.00 | 12.00 | 17600 | 12800 | 650 | 5/8 | 3/8 | 3/4 | 3/8 | 5/8 | 3/8 or 1/4 | 0.053 | A4TXV01 |
| | E(C,H,M,U)1P24B | LUF80*84/95V14 | 14.00 | 12.00 | 17600 | 12800 | 650 | 5/8 | 3/8 | 3/4 | 3/8 | 5/8 | 3/8 or 1/4 | 0.053 | A4TXV01 |
| | E(C,H,M,U)1P29B | EFV08BC | 14.00 | 12.00 | 17600 | 12800 | 650 | 5/8 | 3/8 | 3/4 | 3/8 | 5/8 | 3/8 or 1/4 | 0.053 | A4TXV01 |
| | E(C,H,M,U)1P29A | A80DF1E045A12 | 14.00 | 12.00 | 17600 | 12800 | 650 | 5/8 | 3/8 | 3/4 | 3/8 | 5/8 | 3/8 or 1/4 | 0.053 | A4TXV01 |
| | E(C,H,M,U)1P29B | A80DF1E070B12 | 14.00 | 12.00 | 17600 | 12800 | 650 | 5/8 | 3/8 | 3/4 | 3/8 | 5/8 | 3/8 or 1/4 | 0.053 | A4TXV01 |
| | E(C,H,M,U)1P29A | A80DF2V070A12 | 14.00 | 12.00 | 17600 | 12800 | 650 | 5/8 | 3/8 | 3/4 | 3/8 | 5/8 | 3/8 or 1/4 | 0.053 | A4TXV01 |
| | E(C,H,M,U)1P29A | A80UH1E045A12* | 14.00 | 12.00 | 17600 | 12800 | 650 | 5/8 | 3/8 | 3/4 | 3/8 | 5/8 | 3/8 or 1/4 | 0.053 | A4TXV01 |
| | E(C,H,M,U)1P29B | A80UH1E070B12* | 14.00 | 12.00 | 17600 | 12800 | 650 | 5/8 | 3/8 | 3/4 | 3/8 | 5/8 | 3/8 or 1/4 | 0.053 | A4TXV01 |
| | E(C,H,M,U)1P29A | A80UH2V070A12 | 14.00 | 12.00 | 17600 | 12800 | 650 | 5/8 | 3/8 | 3/4 | 3/8 | 5/8 | 3/8 or 1/4 | 0.053 | A4TXV01 |
| | E(C,H,M,U)1P29B | A80UH2V090B12 | 14.00 | 12.00 | 17600 | 12800 | 650 | 5/8 | 3/8 | 3/4 | 3/8 | 5/8 | 3/8 or 1/4 | 0.053 | A4TXV01 |

Note:

¹ Certified in accordance with Unitary Air Conditioner Certification Program, which is based on AHRI Standard 210/240

² Required to achieve AHRI rating. If NA (Not Applicable) is in the piston column, then TXV is required.

³ A blower time delay relay is required to achieve AHRI rating. This feature is standard on all Allied Air Enterprises furnace and AH products.

13 SEER Split System Air Conditioner

Cooling Performance with Air Handlers and Furnaces 18, 24

| Outdoor Model | Indoor Model | Variable Speed Furnace | SEER | EER | Rated ARI Capacity ¹ BTUH | Rated Sensible Capacity BTUH | CFM | Refrigerant Connection | | | | Refrigerant Line Size | | Indoor Expansion Device | |
|----------------|---|------------------------|-------|-------|--------------------------------------|------------------------------|-----|------------------------|--------|---------|--------|-----------------------|------------|-------------------------|---------|
| | Evaporator Coil or Air Handler ³ | | | | | | | Outdoor | | Indoor | | Suction | Liquid | Piston ² | TXV |
| | | | | | | | | Suction | Liquid | Suction | Liquid | | | | |
| 4AC13L 18P-7,8 | E(C,H,M,U)1P29B | A80UH2V090B16 | 14.00 | 12.00 | 17600 | 12800 | 650 | 5/8 | 3/8 | 3/4 | 3/8 | 5/8 | 3/8 or 1/4 | 0.053 | A4TXV01 |
| | E(C,H,M,U)1P29B | A95DF1E045B12S | 13.50 | 11.50 | 17600 | 12800 | 650 | 5/8 | 3/8 | 3/4 | 3/8 | 5/8 | 3/8 or 1/4 | 0.053 | A4TXV01 |
| | E(C,H,M,U)1P29B | A95DF2V045B12S | 14.00 | 12.00 | 17600 | 12800 | 650 | 5/8 | 3/8 | 3/4 | 3/8 | 5/8 | 3/8 or 1/4 | 0.053 | A4TXV01 |
| | E(C,H,M,U)1P29B | A95DF2V070B16S | 14.00 | 12.00 | 17600 | 12800 | 650 | 5/8 | 3/8 | 3/4 | 3/8 | 5/8 | 3/8 or 1/4 | 0.053 | A4TXV01 |
| | E(C,H,M,U)1P29B | A95UH1E045B12S | 14.00 | 12.00 | 17600 | 12800 | 650 | 5/8 | 3/8 | 3/4 | 3/8 | 5/8 | 3/8 or 1/4 | 0.053 | A4TXV01 |
| | E(C,H,M,U)1P29B | A95UH1E070B12S | 14.00 | 12.00 | 17600 | 12800 | 650 | 5/8 | 3/8 | 3/4 | 3/8 | 5/8 | 3/8 or 1/4 | 0.053 | A4TXV01 |
| | E(C,H,M,U)1P29B | A95UH2V045B12S | 14.00 | 12.00 | 17600 | 12800 | 650 | 5/8 | 3/8 | 3/4 | 3/8 | 5/8 | 3/8 or 1/4 | 0.053 | A4TXV01 |
| | E(C,H,M,U)1P29B | A95UH2V070B12S | 14.00 | 12.00 | 17600 | 12800 | 650 | 5/8 | 3/8 | 3/4 | 3/8 | 5/8 | 3/8 or 1/4 | 0.053 | A4TXV01 |
| | E(C,H,M,U)1P29B | A97DSMV070B12 | 14.00 | 12.00 | 17600 | 12800 | 650 | 5/8 | 3/8 | 3/4 | 3/8 | 5/8 | 3/8 or 1/4 | 0.053 | A4TXV01 |
| | E(C,H,M,U)1P29B | A97USMV070B12 | 14.00 | 12.00 | 17600 | 12800 | 650 | 5/8 | 3/8 | 3/4 | 3/8 | 5/8 | 3/8 or 1/4 | 0.053 | A4TXV01 |
| | E(C,H,M,U)1P29B | A96DFMV070B12 | 14.00 | 12.00 | 17600 | 12800 | 650 | 5/8 | 3/8 | 3/4 | 3/8 | 5/8 | 3/8 or 1/4 | 0.053 | A4TXV01 |
| | E(C,H,M,U)1P29B | A96UHMV070B12 | 14.00 | 12.00 | 17600 | 12800 | 650 | 5/8 | 3/8 | 3/4 | 3/8 | 5/8 | 3/8 or 1/4 | 0.053 | A4TXV01 |
| | E(C,H,M,U)1P29B | LB*80*84/95V14 | 14.00 | 12.00 | 17600 | 12800 | 650 | 5/8 | 3/8 | 3/4 | 3/8 | 5/8 | 3/8 or 1/4 | 0.053 | A4TXV01 |
| | E(C,H,M,U)1P29B | LH*80*84/95V12 | 14.00 | 12.00 | 17600 | 12800 | 650 | 5/8 | 3/8 | 3/4 | 3/8 | 5/8 | 3/8 or 1/4 | 0.053 | A4TXV01 |
| | E(C,H,M,U)1P29B | LUF80*57/72V12 | 14.00 | 12.00 | 17600 | 12800 | 650 | 5/8 | 3/8 | 3/4 | 3/8 | 5/8 | 3/8 or 1/4 | 0.053 | A4TXV01 |
| | E(C,H,M,U)1P29B | LUF80*84/95V14 | 14.00 | 12.00 | 17600 | 12800 | 650 | 5/8 | 3/8 | 3/4 | 3/8 | 5/8 | 3/8 or 1/4 | 0.053 | A4TXV01 |
| 4AC13L 24P-7,8 | BCS2M24C****P | | 13.00 | 11.00 | 22800 | 16800 | 800 | 5/8 | 3/8 | 3/4 | 3/8 | 5/8 | 3/8 or 1/4 | 0.057 | A4TXV01 |
| | BCS3M24C****P | | 13.00 | 11.00 | 22800 | 16800 | 800 | 5/8 | 3/8 | 3/4 | 3/8 | 5/8 | 3/8 or 1/4 | 0.057 | A4TXV01 |
| | BCE3M24C****P | | 13.00 | 11.00 | 22800 | 16800 | 800 | 5/8 | 3/8 | 3/4 | 3/8 | 5/8 | 3/8 or 1/4 | 0.057 | A4TXV01 |
| | BCS2M24V****P | | 14.00 | 12.00 | 22800 | 16800 | 800 | 5/8 | 3/8 | 3/4 | 3/8 | 5/8 | 3/8 or 1/4 | 0.057 | A4TXV01 |
| | E(C,H,M,U)1P23B | EFV08BC | 14.00 | 12.00 | 22800 | 16800 | 800 | 5/8 | 3/8 | 3/4 | 3/8 | 5/8 | 3/8 or 1/4 | 0.057 | A4TXV01 |
| | E(C,H,M,U)1P23A | A80DF1E045A12 | 13.50 | 11.00 | 22800 | 16800 | 800 | 5/8 | 3/8 | 3/4 | 3/8 | 5/8 | 3/8 or 1/4 | 0.057 | A4TXV01 |
| | E(C,H,M,U)1P23A | A80DF2V070A12 | 14.00 | 12.00 | 22800 | 16800 | 800 | 5/8 | 3/8 | 3/4 | 3/8 | 5/8 | 3/8 or 1/4 | 0.057 | A4TXV01 |
| | E(C,H,M,U)1P23B | A80DF2V090B16 | 14.00 | 12.00 | 22800 | 16800 | 800 | 5/8 | 3/8 | 3/4 | 3/8 | 5/8 | 3/8 or 1/4 | 0.057 | A4TXV01 |
| | E(C,H,M,U)1P23A | A80UH1E045A12* | 13.50 | 11.00 | 22800 | 16800 | 800 | 5/8 | 3/8 | 3/4 | 3/8 | 5/8 | 3/8 or 1/4 | 0.057 | A4TXV01 |
| | E(C,H,M,U)1P23B | A80UH1E070B12* | 13.50 | 11.00 | 22800 | 16800 | 800 | 5/8 | 3/8 | 3/4 | 3/8 | 5/8 | 3/8 or 1/4 | 0.057 | A4TXV01 |
| | E(C,H,M,U)1P23A | A80UH2V070A12 | 13.50 | 11.00 | 22800 | 16800 | 800 | 5/8 | 3/8 | 3/4 | 3/8 | 5/8 | 3/8 or 1/4 | 0.057 | A4TXV01 |
| | E(C,H,M,U)1P23B | A80UH2V090B12 | 13.50 | 11.00 | 22800 | 16800 | 800 | 5/8 | 3/8 | 3/4 | 3/8 | 5/8 | 3/8 or 1/4 | 0.057 | A4TXV01 |
| | E(C,H,M,U)1P23B | A80UH2V090B16 | 13.50 | 11.00 | 22800 | 16800 | 800 | 5/8 | 3/8 | 3/4 | 3/8 | 5/8 | 3/8 or 1/4 | 0.057 | A4TXV01 |
| | E(C,H,M,U)1P23B | A95DF2V045B12S | 14.00 | 12.00 | 22800 | 16800 | 800 | 5/8 | 3/8 | 3/4 | 3/8 | 5/8 | 3/8 or 1/4 | 0.057 | A4TXV01 |

Note:

¹ Certified in accordance with Unitary Air Conditioner Certification Program, which is based on AHRI Standard 210/240

² Required to achieve AHRI rating. If NA (Not Applicable) is in the piston column, then TXV is required.

³ A blower time delay relay is required to achieve AHRI rating. This feature is standard on all Allied Air Enterprises furnace and AH products.

Cooling Performance with Air Handlers and Furnaces 24

| Outdoor Model | Indoor Model | Variable Speed Furnace | SEER | EER | Rated ARI Capacity ¹ BTUH | Rated Sensible Capacity BTUH | CFM | Refrigerant Connection | | | | Refrigerant Line Size | | Indoor Expansion Device | |
|-------------------|---|------------------------|-------|-------|--------------------------------------|------------------------------|-----|------------------------|--------|---------|--------|-----------------------|------------|-------------------------|---------|
| | Evaporator Coil or Air Handler ³ | | | | | | | Outdoor | | Indoor | | Suction | Liquid | Piston ² | TXV |
| | | | | | | | | Suction | Liquid | Suction | Liquid | | | | |
| 4AC13L 24P-7,8 | E(C,H,M,U)1P23B | A95DF2V070B16S | 13.50 | 11.00 | 22800 | 16800 | 800 | 5/8 | 3/8 | 3/4 | 3/8 | 5/8 | 3/8 or 1/4 | 0.057 | A4TXV01 |
| | E(C,H,M,U)1P23B | A95UH1E070B12S | 14.00 | 12.00 | 22800 | 16800 | 800 | 5/8 | 3/8 | 3/4 | 3/8 | 5/8 | 3/8 or 1/4 | 0.057 | A4TXV01 |
| | E(C,H,M,U)1P23B | A95UH2V045B12S | 14.00 | 12.00 | 22800 | 16800 | 800 | 5/8 | 3/8 | 3/4 | 3/8 | 5/8 | 3/8 or 1/4 | 0.057 | A4TXV01 |
| | E(C,H,M,U)1P23B | A95UH2V070B12S | 14.00 | 12.00 | 22800 | 16800 | 800 | 5/8 | 3/8 | 3/4 | 3/8 | 5/8 | 3/8 or 1/4 | 0.057 | A4TXV01 |
| | E(C,H,M,U)1P23B | A97DSMV070B12 | 14.00 | 12.00 | 22800 | 16800 | 800 | 5/8 | 3/8 | 3/4 | 3/8 | 5/8 | 3/8 or 1/4 | 0.057 | A4TXV01 |
| | E(C,H,M,U)1P23B | A97USMV070B12 | 14.00 | 12.00 | 22800 | 16800 | 800 | 5/8 | 3/8 | 3/4 | 3/8 | 5/8 | 3/8 or 1/4 | 0.057 | A4TXV01 |
| | E(C,H,M,U)1P23B | A96UHMV070B12 | 14.00 | 12.00 | 22800 | 16800 | 800 | 5/8 | 3/8 | 3/4 | 3/8 | 5/8 | 3/8 or 1/4 | 0.057 | A4TXV01 |
| | E(C,H,M,U)1P23B | LB*80*84/95V14 | 13.50 | 11.00 | 22800 | 16800 | 800 | 5/8 | 3/8 | 3/4 | 3/8 | 5/8 | 3/8 or 1/4 | 0.057 | A4TXV01 |
| | E(C,H,M,U)1P23B | LH*80*84/95V12 | 13.50 | 11.00 | 22800 | 16800 | 800 | 5/8 | 3/8 | 3/4 | 3/8 | 5/8 | 3/8 or 1/4 | 0.057 | A4TXV01 |
| | E(C,H,M,U)1P23B | LUF80*57/72V12 | 13.50 | 11.00 | 22800 | 16800 | 800 | 5/8 | 3/8 | 3/4 | 3/8 | 5/8 | 3/8 or 1/4 | 0.057 | A4TXV01 |
| | E(C,H,M,U)1P23B | LUF80*84/95V14 | 13.50 | 11.00 | 22800 | 16800 | 800 | 5/8 | 3/8 | 3/4 | 3/8 | 5/8 | 3/8 or 1/4 | 0.057 | A4TXV01 |
| | E(C,H,M,U)1P24B | EFV08BC | 13.50 | 11.00 | 22800 | 16800 | 800 | 5/8 | 3/8 | 3/4 | 3/8 | 5/8 | 3/8 or 1/4 | 0.057 | A4TXV01 |
| | E(C,H,M,U)1P24A | A80DF1E045A12 | 13.50 | 11.00 | 22800 | 16800 | 800 | 5/8 | 3/8 | 3/4 | 3/8 | 5/8 | 3/8 or 1/4 | 0.057 | A4TXV01 |
| | E(C,H,M,U)1P24A | A80DF2V070A12 | 13.50 | 11.00 | 22800 | 16800 | 800 | 5/8 | 3/8 | 3/4 | 3/8 | 5/8 | 3/8 or 1/4 | 0.057 | A4TXV01 |
| | E(C,H,M,U)1P24B | A80DF2V090B16 | 13.50 | 11.00 | 22800 | 16800 | 800 | 5/8 | 3/8 | 3/4 | 3/8 | 5/8 | 3/8 or 1/4 | 0.057 | A4TXV01 |
| | E(C,H,M,U)1P24A | A80UH1E045A12* | 13.50 | 11.00 | 22800 | 16800 | 800 | 5/8 | 3/8 | 3/4 | 3/8 | 5/8 | 3/8 or 1/4 | 0.057 | A4TXV01 |
| | E(C,H,M,U)1P24B | A80UH1E070B12* | 13.50 | 11.00 | 22800 | 16800 | 800 | 5/8 | 3/8 | 3/4 | 3/8 | 5/8 | 3/8 or 1/4 | 0.057 | A4TXV01 |
| | E(C,H,M,U)1P24A | A80UH2V070A12 | 13.50 | 11.00 | 22800 | 16800 | 800 | 5/8 | 3/8 | 3/4 | 3/8 | 5/8 | 3/8 or 1/4 | 0.057 | A4TXV01 |
| | E(C,H,M,U)1P24B | A80UH2V090B12 | 13.50 | 11.00 | 22800 | 16800 | 800 | 5/8 | 3/8 | 3/4 | 3/8 | 5/8 | 3/8 or 1/4 | 0.057 | A4TXV01 |
| | E(C,H,M,U)1P24B | A80UH2V090B16 | 13.50 | 11.00 | 22800 | 16800 | 800 | 5/8 | 3/8 | 3/4 | 3/8 | 5/8 | 3/8 or 1/4 | 0.057 | A4TXV01 |
| | E(C,H,M,U)1P24B | A95DF2V045B12S | 13.50 | 11.00 | 22800 | 16800 | 800 | 5/8 | 3/8 | 3/4 | 3/8 | 5/8 | 3/8 or 1/4 | 0.057 | A4TXV01 |
| | E(C,H,M,U)1P24B | A95DF2V070B16S | 13.50 | 11.00 | 22800 | 16800 | 800 | 5/8 | 3/8 | 3/4 | 3/8 | 5/8 | 3/8 or 1/4 | 0.057 | A4TXV01 |
| | E(C,H,M,U)1P24B | A95UH1E070B12S | 13.50 | 11.00 | 22800 | 16800 | 800 | 5/8 | 3/8 | 3/4 | 3/8 | 5/8 | 3/8 or 1/4 | 0.057 | A4TXV01 |
| | E(C,H,M,U)1P24B | A95UH2V045B12S | 14.00 | 12.00 | 22800 | 16800 | 800 | 5/8 | 3/8 | 3/4 | 3/8 | 5/8 | 3/8 or 1/4 | 0.057 | A4TXV01 |
| | E(C,H,M,U)1P24B | A95UH2V070B12S | 14.00 | 12.00 | 22800 | 16800 | 800 | 5/8 | 3/8 | 3/4 | 3/8 | 5/8 | 3/8 or 1/4 | 0.057 | A4TXV01 |
| | E(C,H,M,U)1P24B | A97DSMV070B12 | 13.50 | 11.00 | 22800 | 16800 | 800 | 5/8 | 3/8 | 3/4 | 3/8 | 5/8 | 3/8 or 1/4 | 0.057 | A4TXV01 |
| | E(C,H,M,U)1P24B | A97USMV070B12 | 14.00 | 12.00 | 22800 | 16800 | 800 | 5/8 | 3/8 | 3/4 | 3/8 | 5/8 | 3/8 or 1/4 | 0.057 | A4TXV01 |
| | E(C,H,M,U)1P24B | A96DFMV070B12 | 13.50 | 11.00 | 22800 | 16800 | 800 | 5/8 | 3/8 | 3/4 | 3/8 | 5/8 | 3/8 or 1/4 | 0.057 | A4TXV01 |
| | E(C,H,M,U)1P24B | A96UHMV070B12 | 14.00 | 12.00 | 22800 | 16800 | 800 | 5/8 | 3/8 | 3/4 | 3/8 | 5/8 | 3/8 or 1/4 | 0.057 | A4TXV01 |
| | E(C,H,M,U)1P24B | LB*80*84/95V14 | 13.50 | 11.00 | 22800 | 16800 | 800 | 5/8 | 3/8 | 3/4 | 3/8 | 5/8 | 3/8 or 1/4 | 0.057 | A4TXV01 |

Note:

¹ Certified in accordance with Unitary Air Conditioner Certification Program, which is based on AHRI Standard 210/240² Required to achieve AHRI rating. If NA (Not Applicable) is in the piston column, then TXV is required³ A blower time delay relay is required to achieve AHRI rating. This feature is standard on all Allied Air Enterprises furnace and AH products.

13 SEER Split System Air Conditioner

Cooling Performance with Air Handlers and Furnaces 24

| Outdoor Model | Indoor Model | Variable Speed Furnace | SEER | EER | Rated ARI Capacity ¹ BTUH | Rated Sensible Capacity BTUH | CFM | Refrigerant Connection | | | | Refrigerant Line Size | | Indoor Expansion Device | | |
|-------------------|---|------------------------|-------|-------|--------------------------------------|------------------------------|-------|------------------------|--------|---------|--------|-----------------------|------------|-------------------------|---------|---------|
| | Evaporator Coil or Air Handler ³ | | | | | | | Outdoor | | Indoor | | Suction | Liquid | Piston ² | TXV | |
| | | | | | | | | Suction | Liquid | Suction | Liquid | | | | | |
| 4AC13L 24P-7,8 | E(C,H,M,U)1P24B | LH*80*84/95V12 | 13.50 | 11.00 | 22800 | 16800 | 800 | 5/8 | 3/8 | 3/4 | 3/8 | 5/8 | 3/8 or 1/4 | 0.057 | A4TXV01 | |
| | E(C,H,M,U)1P24B | LUF80*57/72V12 | 13.50 | 11.00 | 22800 | 16800 | 800 | 5/8 | 3/8 | 3/4 | 3/8 | 5/8 | 3/8 or 1/4 | 0.057 | A4TXV01 | |
| | E(C,H,M,U)1P24B | LUF80*84/95V14 | 13.50 | 11.00 | 22800 | 16800 | 800 | 5/8 | 3/8 | 3/4 | 3/8 | 5/8 | 3/8 or 1/4 | 0.057 | A4TXV01 | |
| | E(C,H,M,U)1P29B | EFV08BC | | 14.00 | 12.00 | 22800 | 16800 | 800 | 5/8 | 3/8 | 3/4 | 3/8 | 5/8 | 3/8 or 1/4 | 0.057 | A4TXV01 |
| | E(C,H,M,U)1P29A | A80DF1E045A12 | | 13.50 | 11.00 | 22800 | 16800 | 800 | 5/8 | 3/8 | 3/4 | 3/8 | 5/8 | 3/8 or 1/4 | 0.057 | A4TXV01 |
| | E(C,H,M,U)1P29B | A80DF1E070B12 | | 13.50 | 11.00 | 22800 | 16800 | 800 | 5/8 | 3/8 | 3/4 | 3/8 | 5/8 | 3/8 or 1/4 | 0.057 | A4TXV01 |
| | E(C,H,M,U)1P29A | A80DF2V070A12 | | 14.00 | 12.00 | 22800 | 16800 | 800 | 5/8 | 3/8 | 3/4 | 3/8 | 5/8 | 3/8 or 1/4 | 0.057 | A4TXV01 |
| | E(C,H,M,U)1P29B | A80DF2V090B16 | | 14.00 | 12.00 | 22800 | 16800 | 800 | 5/8 | 3/8 | 3/4 | 3/8 | 5/8 | 3/8 or 1/4 | 0.057 | A4TXV01 |
| | E(C,H,M,U)1P29A | A80UH1E045A12* | | 13.50 | 11.00 | 22800 | 16800 | 800 | 5/8 | 3/8 | 3/4 | 3/8 | 5/8 | 3/8 or 1/4 | 0.057 | A4TXV01 |
| | E(C,H,M,U)1P29B | A80UH1E070B12* | | 13.50 | 11.00 | 22800 | 16800 | 800 | 5/8 | 3/8 | 3/4 | 3/8 | 5/8 | 3/8 or 1/4 | 0.057 | A4TXV01 |
| | E(C,H,M,U)1P29A | A80UH2V070A12 | | 14.00 | 12.00 | 22800 | 16800 | 800 | 5/8 | 3/8 | 3/4 | 3/8 | 5/8 | 3/8 or 1/4 | 0.057 | A4TXV01 |
| | E(C,H,M,U)1P29B | A80UH2V090B12 | | 14.00 | 12.00 | 22800 | 16800 | 800 | 5/8 | 3/8 | 3/4 | 3/8 | 5/8 | 3/8 or 1/4 | 0.057 | A4TXV01 |
| | E(C,H,M,U)1P29B | A80UH2V090B16 | | 13.50 | 11.00 | 22800 | 16800 | 800 | 5/8 | 3/8 | 3/4 | 3/8 | 5/8 | 3/8 or 1/4 | 0.057 | A4TXV01 |
| | E(C,H,M,U)1P29B | A95DF2V045B12S | | 14.00 | 12.00 | 22800 | 16800 | 800 | 5/8 | 3/8 | 3/4 | 3/8 | 5/8 | 3/8 or 1/4 | 0.057 | A4TXV01 |
| | E(C,H,M,U)1P29B | A95DF2V070B16S | | 13.50 | 11.00 | 22800 | 16800 | 800 | 5/8 | 3/8 | 3/4 | 3/8 | 5/8 | 3/8 or 1/4 | 0.057 | A4TXV01 |
| | E(C,H,M,U)1P29B | A95UH1E070B12S | | 14.00 | 12.00 | 22800 | 16800 | 800 | 5/8 | 3/8 | 3/4 | 3/8 | 5/8 | 3/8 or 1/4 | 0.057 | A4TXV01 |
| | E(C,H,M,U)1P29B | A95UH2V045B12S | | 14.00 | 12.00 | 22800 | 16800 | 800 | 5/8 | 3/8 | 3/4 | 3/8 | 5/8 | 3/8 or 1/4 | 0.057 | A4TXV01 |
| | E(C,H,M,U)1P29B | A95UH2V070B12S | | 14.00 | 12.00 | 22800 | 16800 | 800 | 5/8 | 3/8 | 3/4 | 3/8 | 5/8 | 3/8 or 1/4 | 0.057 | A4TXV01 |
| | E(C,H,M,U)1P29B | A97DSMV070B12 | | 14.00 | 12.00 | 22800 | 16800 | 800 | 5/8 | 3/8 | 3/4 | 3/8 | 5/8 | 3/8 or 1/4 | 0.057 | A4TXV01 |
| | E(C,H,M,U)1P29B | A97USMV070B12 | | 14.00 | 12.00 | 22800 | 16800 | 800 | 5/8 | 3/8 | 3/4 | 3/8 | 5/8 | 3/8 or 1/4 | 0.057 | A4TXV01 |
| | E(C,H,M,U)1P29B | A96DFMV070B12 | | 14.00 | 12.00 | 22800 | 16800 | 800 | 5/8 | 3/8 | 3/4 | 3/8 | 5/8 | 3/8 or 1/4 | 0.057 | A4TXV01 |
| | E(C,H,M,U)1P29B | A96UHMV070B12 | | 14.00 | 12.00 | 22800 | 16800 | 800 | 5/8 | 3/8 | 3/4 | 3/8 | 5/8 | 3/8 or 1/4 | 0.057 | A4TXV01 |
| | E(C,H,M,U)1P29B | LB*80*84/95V14 | | 13.50 | 11.00 | 22800 | 16800 | 800 | 5/8 | 3/8 | 3/4 | 3/8 | 5/8 | 3/8 or 1/4 | 0.057 | A4TXV01 |
| | E(C,H,M,U)1P29B | LH*80*84/95V12 | | 13.50 | 11.00 | 22800 | 16800 | 800 | 5/8 | 3/8 | 3/4 | 3/8 | 5/8 | 3/8 or 1/4 | 0.057 | A4TXV01 |
| | E(C,H,M,U)1P29B | LUF80*57/72V12 | | 13.50 | 11.00 | 22800 | 16800 | 800 | 5/8 | 3/8 | 3/4 | 3/8 | 5/8 | 3/8 or 1/4 | 0.057 | A4TXV01 |
| | E(C,H,M,U)1P29B | LUF80*84/95V14 | | 13.50 | 11.00 | 22800 | 16800 | 800 | 5/8 | 3/8 | 3/4 | 3/8 | 5/8 | 3/8 or 1/4 | 0.057 | A4TXV01 |
| | E(C,H,M,U)1P30B | EFV08BC | | 14.00 | 12.00 | 28000 | 16800 | 800 | 5/8 | 3/8 | 3/4 | 3/8 | 5/8 | 3/8 or 1/4 | 0.057 | A4TXV01 |
| | E(C,H,M,U)1P30A | A80DF1E045A12 | | 13.50 | 11.00 | 22800 | 16800 | 800 | 5/8 | 3/8 | 3/4 | 3/8 | 5/8 | 3/8 or 1/4 | 0.057 | A4TXV01 |
| | E(C,H,M,U)1P30B | A80DF1E070B12 | | 13.50 | 11.00 | 22800 | 16800 | 800 | 5/8 | 3/8 | 3/4 | 3/8 | 5/8 | 3/8 or 1/4 | 0.057 | A4TXV01 |
| | E(C,H,M,U)1P30A | A80DF2V070A12 | | 14.00 | 12.00 | 22800 | 16800 | 800 | 5/8 | 3/8 | 3/4 | 3/8 | 5/8 | 3/8 or 1/4 | 0.057 | A4TXV01 |

Note:

¹ Certified in accordance with Unitary Air Conditioner Certification Program, which is based on AHRI Standard 210/240

² Required to achieve AHRI rating. If NA (Not Applicable) is in the piston column, then TXV is required.

³ A blower time delay relay is required to achieve AHRI rating. This feature is standard on all Allied Air Enterprises furnace and AH products.

Cooling Performance with Air Handlers and Furnaces 24

| Outdoor Model | Indoor Model | Variable Speed Furnace | SEER | EER | Rated ARI Capacity ¹ BTUH | Rated Sensible Capacity BTUH | CFM | Refrigerant Connection | | | | Refrigerant Line Size | | Indoor Expansion Device | |
|-------------------|---|------------------------|-------|-------|--------------------------------------|------------------------------|-----|------------------------|--------|---------|--------|-----------------------|------------|-------------------------|---------|
| | Evaporator Coil or Air Handler ³ | | | | | | | Outdoor | | Indoor | | Suction | Liquid | Piston ² | TXV |
| | | | | | | | | Suction | Liquid | Suction | Liquid | | | | |
| 4AC13L 24P-7,8 | E(C,H,M,U)1P30B | A80DF2V090B16 | 14.00 | 12.00 | 22800 | 16800 | 800 | 5/8 | 3/8 | 3/4 | 3/8 | 5/8 | 3/8 or 1/4 | 0.057 | A4TXV01 |
| | E(C,H,M,U)1P30A | A80UH1E045A12* | 13.50 | 11.00 | 22800 | 16800 | 800 | 5/8 | 3/8 | 3/4 | 3/8 | 5/8 | 3/8 or 1/4 | 0.057 | A4TXV01 |
| | E(C,H,M,U)1P30B | A80UH1E070B12* | 13.50 | 11.00 | 22800 | 16800 | 800 | 5/8 | 3/8 | 3/4 | 3/8 | 5/8 | 3/8 or 1/4 | 0.057 | A4TXV01 |
| | E(C,H,M,U)1P30A | A80UH2V070A12 | 14.00 | 12.00 | 22800 | 16800 | 800 | 5/8 | 3/8 | 3/4 | 3/8 | 5/8 | 3/8 or 1/4 | 0.057 | A4TXV01 |
| | E(C,H,M,U)1P30B | A80UH2V090B12 | 14.00 | 12.00 | 22800 | 16800 | 800 | 5/8 | 3/8 | 3/4 | 3/8 | 5/8 | 3/8 or 1/4 | 0.057 | A4TXV01 |
| | E(C,H,M,U)1P30B | A80UH2V090B16 | 14.00 | 12.00 | 22800 | 16800 | 800 | 5/8 | 3/8 | 3/4 | 3/8 | 5/8 | 3/8 or 1/4 | 0.057 | A4TXV01 |
| | E(C,H,M,U)1P30B | A95DF2V045B12S | 14.00 | 12.00 | 22800 | 16800 | 800 | 5/8 | 3/8 | 3/4 | 3/8 | 5/8 | 3/8 or 1/4 | 0.057 | A4TXV01 |
| | E(C,H,M,U)1P30B | A95DF2V070B16S | 13.50 | 11.00 | 22800 | 16800 | 800 | 5/8 | 3/8 | 3/4 | 3/8 | 5/8 | 3/8 or 1/4 | 0.057 | A4TXV01 |
| | E(C,H,M,U)1P30B | A95DF2V090C20S | 13.50 | 11.00 | 22800 | 16800 | 800 | 5/8 | 3/8 | 3/4 | 3/8 | 5/8 | 3/8 or 1/4 | 0.057 | A4TXV01 |
| | E(C,H,M,U)1P30B | A95DF2V110C20S | 14.00 | 12.00 | 22800 | 16800 | 800 | 5/8 | 3/8 | 3/4 | 3/8 | 5/8 | 3/8 or 1/4 | 0.057 | A4TXV01 |
| | E(C,H,M,U)1P30B | A95UH1E070B12S | 14.00 | 12.00 | 22800 | 16800 | 800 | 5/8 | 3/8 | 3/4 | 3/8 | 5/8 | 3/8 or 1/4 | 0.057 | A4TXV01 |
| | E(C,H,M,U)1P30B | A95UH2V045B12S | 14.00 | 12.00 | 22800 | 16800 | 800 | 5/8 | 3/8 | 3/4 | 3/8 | 5/8 | 3/8 or 1/4 | 0.057 | A4TXV01 |
| | E(C,H,M,U)1P30B | A95UH2V070B12S | 14.00 | 12.00 | 22800 | 16800 | 800 | 5/8 | 3/8 | 3/4 | 3/8 | 5/8 | 3/8 or 1/4 | 0.057 | A4TXV01 |
| | E(C,H,M,U)1P30B | A95UH2V090C12S | 14.00 | 12.00 | 22800 | 16800 | 800 | 5/8 | 3/8 | 3/4 | 3/8 | 5/8 | 3/8 or 1/4 | 0.057 | A4TXV01 |
| | E(C,H,M,U)1P30B | A97DSMV070B12 | 14.00 | 12.00 | 22800 | 16800 | 800 | 5/8 | 3/8 | 3/4 | 3/8 | 5/8 | 3/8 or 1/4 | 0.057 | A4TXV01 |
| | E(C,H,M,U)1P30B | A97USMV070B12 | 14.00 | 12.00 | 22800 | 16800 | 800 | 5/8 | 3/8 | 3/4 | 3/8 | 5/8 | 3/8 or 1/4 | 0.057 | A4TXV01 |
| | E(C,H,M,U)1P30B | A97USMV090C12 | 14.00 | 12.00 | 22800 | 16800 | 800 | 5/8 | 3/8 | 3/4 | 3/8 | 5/8 | 3/8 or 1/4 | 0.057 | A4TXV01 |
| | E(C,H,M,U)1P30B | A96DFMV070B12 | 14.00 | 12.00 | 22800 | 16800 | 800 | 5/8 | 3/8 | 3/4 | 3/8 | 5/8 | 3/8 or 1/4 | 0.057 | A4TXV01 |
| | E(C,H,M,U)1P30B | A96UHMV070B12 | 14.00 | 12.00 | 22800 | 16800 | 800 | 5/8 | 3/8 | 3/4 | 3/8 | 5/8 | 3/8 or 1/4 | 0.057 | A4TXV01 |
| | E(C,H,M,U)1P30B | A96UHMV090C12 | 14.00 | 12.00 | 22800 | 16800 | 800 | 5/8 | 3/8 | 3/4 | 3/8 | 5/8 | 3/8 or 1/4 | 0.057 | A4TXV01 |
| | E(C,H,M,U)1P30B | LB*80*84/95V14 | 13.50 | 11.00 | 22800 | 16800 | 800 | 5/8 | 3/8 | 3/4 | 3/8 | 5/8 | 3/8 or 1/4 | 0.057 | A4TXV01 |
| | E(C,H,M,U)1P30B | LH*80*84/95V12 | 13.50 | 11.00 | 22800 | 16800 | 800 | 5/8 | 3/8 | 3/4 | 3/8 | 5/8 | 3/8 or 1/4 | 0.057 | A4TXV01 |
| | E(C,H,M,U)1P30B | LUF80*57/72V12 | 13.50 | 11.00 | 22800 | 16800 | 800 | 5/8 | 3/8 | 3/4 | 3/8 | 5/8 | 3/8 or 1/4 | 0.057 | A4TXV01 |
| | E(C,H,M,U)1P30B | LUF80*84/95V14 | 13.50 | 11.00 | 22800 | 16800 | 800 | 5/8 | 3/8 | 3/4 | 3/8 | 5/8 | 3/8 or 1/4 | 0.057 | A4TXV01 |
| | E(C,H,M,U)1P36B | EFV08BC | 14.00 | 12.00 | 22800 | 16800 | 800 | 5/8 | 3/8 | 3/4 | 3/8 | 5/8 | 3/8 or 1/4 | 0.057 | A4TXV01 |
| | E(C,H,M,U)1P36A | A80DF1E045A12 | 13.50 | 11.00 | 22800 | 16800 | 800 | 5/8 | 3/8 | 3/4 | 3/8 | 5/8 | 3/8 or 1/4 | 0.057 | A4TXV01 |
| | E(C,H,M,U)1P36B | A80DF1E070B12 | 13.50 | 11.00 | 22800 | 16800 | 800 | 5/8 | 3/8 | 3/4 | 3/8 | 5/8 | 3/8 or 1/4 | 0.057 | A4TXV01 |
| | E(C,H,M,U)1P36A | A80DF2V070A12 | 14.00 | 12.00 | 22800 | 16800 | 800 | 5/8 | 3/8 | 3/4 | 3/8 | 5/8 | 3/8 or 1/4 | 0.057 | A4TXV01 |
| E(C,H,M,U)1P36B | A80DF2V090B16 | 14.00 | 12.00 | 22800 | 16800 | 800 | 5/8 | 3/8 | 3/4 | 3/8 | 5/8 | 3/8 or 1/4 | 0.057 | A4TXV01 | |
| E(C,H,M,U)1P36A | A80UH1E045A12* | 14.00 | 12.00 | 22800 | 16800 | 800 | 5/8 | 3/8 | 3/4 | 3/8 | 5/8 | 3/8 or 1/4 | 0.057 | A4TXV01 | |

Note:

¹ Certified in accordance with Unitary Air Conditioner Certification Program, which is based on AHRI Standard 210/240

² Required to achieve AHRI rating. If NA (Not Applicable) is in the piston column, then TXV is required.

³ A blower time delay relay is required to achieve AHRI rating. This feature is standard on all Allied Air Enterprises furnace and AH products.

13 SEER Split System Air Conditioner

Cooling Performance with Air Handlers and Furnaces 24, 30

| Outdoor Model | Indoor Model | Variable Speed Furnace | SEER | EER | Rated ARI Capacity ¹ BTUH | Rated Sensible Capacity BTUH | CFM | Refrigerant Connection | | | | Refrigerant Line Size | | Indoor Expansion Device | |
|-------------------|---|------------------------|-------|-------|--------------------------------------|------------------------------|------|------------------------|--------|---------|--------|-----------------------|------------|-------------------------|---------|
| | Evaporator Coil or Air Handler ³ | | | | | | | Outdoor | | Indoor | | Suction | Liquid | Piston ² | TXV |
| | | | | | | | | Suction | Liquid | Suction | Liquid | | | | |
| 4AC13L 24P-7,8 | E(C,H,M,U)1P36B | A80UH1E070B12* | 13.50 | 11.50 | 22800 | 16800 | 800 | 5/8 | 3/8 | 3/4 | 3/8 | 5/8 | 3/8 or 1/4 | 0.057 | A4TXV01 |
| | E(C,H,M,U)1P36A | A80UH2V070A12 | 14.00 | 12.00 | 22800 | 16800 | 800 | 5/8 | 3/8 | 3/4 | 3/8 | 5/8 | 3/8 or 1/4 | 0.057 | A4TXV01 |
| | E(C,H,M,U)1P36B | A80UH2V090B12 | 14.00 | 12.00 | 22800 | 16800 | 800 | 5/8 | 3/8 | 3/4 | 3/8 | 5/8 | 3/8 or 1/4 | 0.057 | A4TXV01 |
| | E(C,H,M,U)1P36B | A80UH2V090B16 | 14.00 | 12.00 | 22800 | 16800 | 800 | 5/8 | 3/8 | 3/4 | 3/8 | 5/8 | 3/8 or 1/4 | 0.057 | A4TXV01 |
| | E(C,H,M,U)1P36B | A95DF2V045B12S | 14.00 | 12.00 | 22800 | 16800 | 800 | 5/8 | 3/8 | 3/4 | 3/8 | 5/8 | 3/8 or 1/4 | 0.057 | A4TXV01 |
| | E(C,H,M,U)1P36B | A95DF2V070B16S | 13.50 | 11.00 | 22800 | 16800 | 800 | 5/8 | 3/8 | 3/4 | 3/8 | 5/8 | 3/8 or 1/4 | 0.057 | A4TXV01 |
| | E(C,H,M,U)1P36B | A95DF2V090C20S | 14.00 | 12.00 | 22800 | 16800 | 800 | 5/8 | 3/8 | 3/4 | 3/8 | 5/8 | 3/8 or 1/4 | 0.057 | A4TXV01 |
| | E(C,H,M,U)1P36B | A95DF2V110C20S | 14.00 | 12.00 | 22800 | 16800 | 800 | 5/8 | 3/8 | 3/4 | 3/8 | 5/8 | 3/8 or 1/4 | 0.057 | A4TXV01 |
| | E(C,H,M,U)1P36B | A95UH1E070B12S | 14.00 | 12.00 | 22800 | 16800 | 800 | 5/8 | 3/8 | 3/4 | 3/8 | 5/8 | 3/8 or 1/4 | 0.057 | A4TXV01 |
| | E(C,H,M,U)1P36B | A95UH2V045B12S | 14.00 | 12.00 | 22800 | 16800 | 800 | 5/8 | 3/8 | 3/4 | 3/8 | 5/8 | 3/8 or 1/4 | 0.057 | A4TXV01 |
| | E(C,H,M,U)1P36B | A95UH2V070B12S | 14.00 | 12.00 | 22800 | 16800 | 800 | 5/8 | 3/8 | 3/4 | 3/8 | 5/8 | 3/8 or 1/4 | 0.057 | A4TXV01 |
| | E(C,H,M,U)1P36B | A95UH2V090C12S | 14.00 | 12.00 | 22800 | 16800 | 800 | 5/8 | 3/8 | 3/4 | 3/8 | 5/8 | 3/8 or 1/4 | 0.057 | A4TXV01 |
| | E(C,H,M,U)1P36B | A97DSMV070B12 | 14.00 | 12.00 | 22800 | 16800 | 800 | 5/8 | 3/8 | 3/4 | 3/8 | 5/8 | 3/8 or 1/4 | 0.057 | A4TXV01 |
| | E(C,H,M,U)1P36B | A97USMV070B12 | 14.00 | 12.00 | 22800 | 16800 | 800 | 5/8 | 3/8 | 3/4 | 3/8 | 5/8 | 3/8 or 1/4 | 0.057 | A4TXV01 |
| | E(C,H,M,U)1P36B | A97USMV090C12 | 14.00 | 12.00 | 22800 | 16800 | 800 | 5/8 | 3/8 | 3/4 | 3/8 | 5/8 | 3/8 or 1/4 | 0.057 | A4TXV01 |
| | E(C,H,M,U)1P36B | A96DFMV070B12 | 14.00 | 12.00 | 22800 | 16800 | 800 | 5/8 | 3/8 | 3/4 | 3/8 | 5/8 | 3/8 or 1/4 | 0.057 | A4TXV01 |
| | E(C,H,M,U)1P36B | A96UHMV070B12 | 14.00 | 12.00 | 22800 | 16800 | 800 | 5/8 | 3/8 | 3/4 | 3/8 | 5/8 | 3/8 or 1/4 | 0.057 | A4TXV01 |
| | E(C,H,M,U)1P36B | A96UHMV090C12 | 14.00 | 12.00 | 22800 | 16800 | 800 | 5/8 | 3/8 | 3/4 | 3/8 | 5/8 | 3/8 or 1/4 | 0.057 | A4TXV01 |
| | E(C,H,M,U)1P36B | LB*80*84/95V14 | 13.50 | 11.00 | 22800 | 16800 | 800 | 5/8 | 3/8 | 3/4 | 3/8 | 5/8 | 3/8 or 1/4 | 0.057 | A4TXV01 |
| | E(C,H,M,U)1P36B | LH*80*84/95V12 | 13.50 | 11.00 | 22800 | 16800 | 800 | 5/8 | 3/8 | 3/4 | 3/8 | 5/8 | 3/8 or 1/4 | 0.057 | A4TXV01 |
| E(C,H,M,U)1P36B | LUF80*57/72V12 | 13.50 | 11.00 | 22800 | 16800 | 800 | 5/8 | 3/8 | 3/4 | 3/8 | 5/8 | 3/8 or 1/4 | 0.057 | A4TXV01 | |
| E(C,H,M,U)1P36B | LUF80*84/95V14 | 13.50 | 11.00 | 22800 | 16800 | 800 | 5/8 | 3/8 | 3/4 | 3/8 | 5/8 | 3/8 or 1/4 | 0.057 | A4TXV01 | |
| 4AC13L 30P-7,8 | BCS2M30C****P | | 13.00 | 11.00 | 28000 | 20400 | 1000 | 3/4 | 3/8 | 3/4 | 3/8 | 3/4 | 3/8 | 0.063 | A4TXV01 |
| | BCS3M30C****P | | 13.00 | 11.00 | 28000 | 20400 | 1000 | 3/4 | 3/8 | 3/4 | 3/8 | 3/4 | 3/8 | 0.063 | A4TXV01 |
| | BCE3M30C****P | | 13.00 | 11.00 | 28000 | 20400 | 1000 | 3/4 | 3/8 | 3/4 | 3/8 | 3/4 | 3/8 | 0.063 | A4TXV01 |
| | BCS2M36V****P | | 13.50 | 11.00 | 28000 | 20400 | 1000 | 3/4 | 3/8 | 3/4 | 3/8 | 3/4 | 3/8 | 0.063 | A4TXV01 |
| | E(C,H,M,U)1P23B | EFV12BC | 13.50 | 11.00 | 28000 | 20400 | 1000 | 3/4 | 3/8 | 3/4 | 3/8 | 3/4 | 3/8 | 0.063 | A4TXV01 |
| | E(C,H,M,U)1P23A | A80DF1E045A12 | 13.50 | 11.00 | 28000 | 20400 | 1000 | 3/4 | 3/8 | 3/4 | 3/8 | 3/4 | 3/8 | 0.063 | A4TXV01 |
| | E(C,H,M,U)1P23B | A80DF1E070B12 | 13.50 | 11.00 | 28000 | 20400 | 1000 | 3/4 | 3/8 | 3/4 | 3/8 | 3/4 | 3/8 | 0.063 | A4TXV01 |
| | E(C,H,M,U)1P23B | A80DF1E090B16 | 13.50 | 11.00 | 28000 | 20400 | 1000 | 3/4 | 3/8 | 3/4 | 3/8 | 3/4 | 3/8 | 0.063 | A4TXV01 |

Note:

¹ Certified in accordance with Unitary Air Conditioner Certification Program, which is based on AHRI Standard 210/240

² Required to achieve AHRI rating. If NA (Not Applicable) is in the piston column, then TXV is required.

³ A blower time delay relay is required to achieve AHRI rating. This feature is standard on all Allied Air Enterprises furnace and AH products.

Cooling Performance with Air Handlers and Furnaces 30

| Outdoor Model | Indoor Model | Variable Speed Furnace | SEER | EER | Rated ARI Capacity ¹ BTUH | Rated Sensible Capacity BTUH | CFM | Refrigerant Connection | | | | Refrigerant Line Size | | Indoor Expansion Device | |
|-------------------|---|------------------------|-------|-------|--------------------------------------|------------------------------|------|------------------------|--------|---------|--------|-----------------------|--------|-------------------------|---------|
| | Evaporator Coil or Air Handler ³ | | | | | | | Outdoor | | Indoor | | Suction | Liquid | Piston ² | TXV |
| | | | | | | | | Suction | Liquid | Suction | Liquid | | | | |
| 4AC13L 30P-7,8 | E(C,H,M,U)1P23A | A80DF2V070A12 | 13.50 | 11.00 | 28000 | 20400 | 1000 | 3/4 | 3/8 | 3/4 | 3/8 | 3/4 | 3/8 | 0.063 | A4TXV01 |
| | E(C,H,M,U)1P23B | A80DF2V090B16 | 13.50 | 11.00 | 28000 | 20400 | 1000 | 3/4 | 3/8 | 3/4 | 3/8 | 3/4 | 3/8 | 0.063 | A4TXV01 |
| | E(C,H,M,U)1P23A | A80UH1E045A12* | 13.50 | 11.00 | 28000 | 20400 | 1000 | 3/4 | 3/8 | 3/4 | 3/8 | 3/4 | 3/8 | 0.063 | A4TXV01 |
| | E(C,H,M,U)1P23B | A80UH1E070B12* | 13.50 | 11.00 | 28000 | 20400 | 1000 | 3/4 | 3/8 | 3/4 | 3/8 | 3/4 | 3/8 | 0.063 | A4TXV01 |
| | E(C,H,M,U)1P23B | A80UH1E090B16* | 13.50 | 11.00 | 28000 | 20400 | 1000 | 3/4 | 3/8 | 3/4 | 3/8 | 3/4 | 3/8 | 0.063 | A4TXV01 |
| | E(C,H,M,U)1P23B | A80UH2V070A12 | 13.50 | 11.00 | 28000 | 20400 | 1000 | 3/4 | 3/8 | 3/4 | 3/8 | 3/4 | 3/8 | 0.063 | A4TXV01 |
| | E(C,H,M,U)1P23B | A80UH2V090B12 | 13.50 | 11.00 | 28000 | 20400 | 1000 | 3/4 | 3/8 | 3/4 | 3/8 | 3/4 | 3/8 | 0.063 | A4TXV01 |
| | E(C,H,M,U)1P23B | A80UH2V090B16 | 13.50 | 11.00 | 28000 | 20400 | 1000 | 3/4 | 3/8 | 3/4 | 3/8 | 3/4 | 3/8 | 0.063 | A4TXV01 |
| | E(C,H,M,U)1P23B | A95DF1E045B12S | 13.50 | 11.00 | 28000 | 20400 | 1000 | 3/4 | 3/8 | 3/4 | 3/8 | 3/4 | 3/8 | 0.063 | A4TXV01 |
| | E(C,H,M,U)1P23B | A95DF1E070B16S | 13.50 | 11.00 | 28000 | 20400 | 1000 | 3/4 | 3/8 | 3/4 | 3/8 | 3/4 | 3/8 | 0.063 | A4TXV01 |
| | E(C,H,M,U)1P23B | A95DF2V045B12S | 13.50 | 11.50 | 28000 | 20400 | 1000 | 3/4 | 3/8 | 3/4 | 3/8 | 3/4 | 3/8 | 0.063 | A4TXV01 |
| | E(C,H,M,U)1P23B | A95DF2V070B16S | 13.50 | 11.00 | 28000 | 20400 | 1000 | 3/4 | 3/8 | 3/4 | 3/8 | 3/4 | 3/8 | 0.063 | A4TXV01 |
| | E(C,H,M,U)1P23B | A95UH1E045B12S | 13.50 | 11.00 | 28000 | 20400 | 1000 | 3/4 | 3/8 | 3/4 | 3/8 | 3/4 | 3/8 | 0.063 | A4TXV01 |
| | E(C,H,M,U)1P23B | A95UH1E070B12S | 13.50 | 11.00 | 28000 | 20400 | 1000 | 3/4 | 3/8 | 3/4 | 3/8 | 3/4 | 3/8 | 0.063 | A4TXV01 |
| | E(C,H,M,U)1P23B | A95UH2V045B12S | 13.50 | 11.00 | 28000 | 20400 | 1000 | 3/4 | 3/8 | 3/4 | 3/8 | 3/4 | 3/8 | 0.063 | A4TXV01 |
| | E(C,H,M,U)1P23B | A95UH2V070B12S | 13.50 | 11.00 | 28000 | 20400 | 1000 | 3/4 | 3/8 | 3/4 | 3/8 | 3/4 | 3/8 | 0.063 | A4TXV01 |
| | E(C,H,M,U)1P23B | A97DSMV070B12 | 13.50 | 11.00 | 28000 | 20400 | 1000 | 3/4 | 3/8 | 3/4 | 3/8 | 3/4 | 3/8 | 0.063 | A4TXV01 |
| | E(C,H,M,U)1P23B | A97USMV070B12 | 13.50 | 11.00 | 28000 | 20400 | 1000 | 3/4 | 3/8 | 3/4 | 3/8 | 3/4 | 3/8 | 0.063 | A4TXV01 |
| | E(C,H,M,U)1P23B | A96DFMV070B12 | 13.50 | 11.00 | 28000 | 20400 | 1000 | 3/4 | 3/8 | 3/4 | 3/8 | 3/4 | 3/8 | 0.063 | A4TXV01 |
| | E(C,H,M,U)1P23B | A96UHMV070B12 | 13.50 | 11.00 | 28000 | 20400 | 1000 | 3/4 | 3/8 | 3/4 | 3/8 | 3/4 | 3/8 | 0.063 | A4TXV01 |
| | E(C,H,M,U)1P23B | LB*80*84/95V14 | 13.50 | 11.00 | 28000 | 20400 | 1000 | 3/4 | 3/8 | 3/4 | 3/8 | 3/4 | 3/8 | 0.063 | A4TXV01 |
| | E(C,H,M,U)1P23B | LH*80*84/95V12 | 13.50 | 11.00 | 28000 | 20400 | 1000 | 3/4 | 3/8 | 3/4 | 3/8 | 3/4 | 3/8 | 0.063 | A4TXV01 |
| | E(C,H,M,U)1P23B | LUF80*57/72V12 | 13.50 | 11.00 | 28000 | 20400 | 1000 | 3/4 | 3/8 | 3/4 | 3/8 | 3/4 | 3/8 | 0.063 | A4TXV01 |
| | E(C,H,M,U)1P23B | LUF80*84/95V14 | 13.50 | 11.00 | 28000 | 20400 | 1000 | 3/4 | 3/8 | 3/4 | 3/8 | 3/4 | 3/8 | 0.063 | A4TXV01 |
| | E(C,H,M,U)1P24B | EFV12BC | 13.50 | 11.00 | 28000 | 20400 | 1000 | 3/4 | 3/8 | 3/4 | 3/8 | 3/4 | 3/8 | 0.063 | A4TXV01 |
| | E(C,H,M,U)1P24A | A80DF1E045A12 | 13.50 | 11.00 | 28000 | 20400 | 1000 | 3/4 | 3/8 | 3/4 | 3/8 | 3/4 | 3/8 | 0.063 | A4TXV01 |
| | E(C,H,M,U)1P24B | A80DF1E070B12 | 13.50 | 11.00 | 28000 | 20400 | 1000 | 3/4 | 3/8 | 3/4 | 3/8 | 3/4 | 3/8 | 0.063 | A4TXV01 |
| | E(C,H,M,U)1P24B | A80DF1E090B16 | 13.50 | 11.00 | 28000 | 20400 | 1000 | 3/4 | 3/8 | 3/4 | 3/8 | 3/4 | 3/8 | 0.063 | A4TXV01 |
| | E(C,H,M,U)1P24A | A80DF2V070A12 | 13.50 | 11.00 | 28000 | 20400 | 1000 | 3/4 | 3/8 | 3/4 | 3/8 | 3/4 | 3/8 | 0.063 | A4TXV01 |
| | E(C,H,M,U)1P24B | A80DF2V090B16 | 13.50 | 11.00 | 28000 | 20400 | 1000 | 3/4 | 3/8 | 3/4 | 3/8 | 3/4 | 3/8 | 0.063 | A4TXV01 |

Note:

¹ Certified in accordance with Unitary Air Conditioner Certification Program, which is based on AHRI Standard 210/240² Required to achieve AHRI rating. If NA (Not Applicable) is in the piston column, then TXV is required.³ A blower time delay relay is required to achieve AHRI rating. This feature is standard on all Allied Air Enterprises furnace and AH products.

Cooling Performance with Air Handlers and Furnaces 30

| Outdoor Model | Indoor Model | Variable Speed Furnace | SEER | EER | Rated ARI Capacity ¹ BTUH | Rated Sensible Capacity BTUH | CFM | Refrigerant Connection | | | | Refrigerant Line Size | | Indoor Expansion Device | |
|-------------------|---|------------------------|-------|-------|--------------------------------------|------------------------------|------|------------------------|--------|---------|--------|-----------------------|--------|-------------------------|---------|
| | Evaporator Coil or Air Handler ³ | | | | | | | Outdoor | | Indoor | | Suction | Liquid | Piston ² | TXV |
| | | | | | | | | Suction | Liquid | Suction | Liquid | | | | |
| 4AC13L 30P-7,8 | E(C,H,M,U)1P24A | A80UH1E045A12* | 13.50 | 11.00 | 28000 | 20400 | 1000 | 3/4 | 3/8 | 3/4 | 3/8 | 3/4 | 3/8 | 0.063 | A4TXV01 |
| | E(C,H,M,U)1P24B | A80UH1E070B12* | 13.50 | 11.00 | 28000 | 20400 | 1000 | 3/4 | 3/8 | 3/4 | 3/8 | 3/4 | 3/8 | 0.063 | A4TXV01 |
| | E(C,H,M,U)1P24B | A80UH1E090B16* | 13.50 | 11.00 | 28000 | 20400 | 1000 | 3/4 | 3/8 | 3/4 | 3/8 | 3/4 | 3/8 | 0.063 | A4TXV01 |
| | E(C,H,M,U)1P24A | A80UH2V070A12 | 13.50 | 11.00 | 28000 | 20400 | 1000 | 3/4 | 3/8 | 3/4 | 3/8 | 3/4 | 3/8 | 0.063 | A4TXV01 |
| | E(C,H,M,U)1P24B | A80UH2V090B12 | 13.50 | 11.00 | 28000 | 20400 | 1000 | 3/4 | 3/8 | 3/4 | 3/8 | 3/4 | 3/8 | 0.063 | A4TXV01 |
| | E(C,H,M,U)1P24B | A80UH2V090B16 | 13.50 | 11.00 | 28000 | 20400 | 1000 | 3/4 | 3/8 | 3/4 | 3/8 | 3/4 | 3/8 | 0.063 | A4TXV01 |
| | E(C,H,M,U)1P24B | A95DF1E045B12S | 13.50 | 11.00 | 28000 | 20400 | 1000 | 3/4 | 3/8 | 3/4 | 3/8 | 3/4 | 3/8 | 0.063 | A4TXV01 |
| | E(C,H,M,U)1P24B | A95DF1E070B16S | 13.50 | 11.00 | 28000 | 20400 | 1000 | 3/4 | 3/8 | 3/4 | 3/8 | 3/4 | 3/8 | 0.063 | A4TXV01 |
| | E(C,H,M,U)1P24B | A95DF2V045B12S | 13.50 | 11.00 | 28000 | 20400 | 1000 | 3/4 | 3/8 | 3/4 | 3/8 | 3/4 | 3/8 | 0.063 | A4TXV01 |
| | E(C,H,M,U)1P24B | A95DF2V070B16S | 13.50 | 11.00 | 28000 | 20400 | 1000 | 3/4 | 3/8 | 3/4 | 3/8 | 3/4 | 3/8 | 0.063 | A4TXV01 |
| | E(C,H,M,U)1P24B | A95UH1E045B12S | 13.50 | 11.00 | 28000 | 20400 | 1000 | 3/4 | 3/8 | 3/4 | 3/8 | 3/4 | 3/8 | 0.063 | A4TXV01 |
| | E(C,H,M,U)1P24B | A95UH1E070B12S | 13.50 | 11.00 | 28000 | 20400 | 1000 | 3/4 | 3/8 | 3/4 | 3/8 | 3/4 | 3/8 | 0.063 | A4TXV01 |
| | E(C,H,M,U)1P24B | A95UH2V045B12S | 13.50 | 11.00 | 28000 | 20400 | 1000 | 3/4 | 3/8 | 3/4 | 3/8 | 3/4 | 3/8 | 0.063 | A4TXV01 |
| | E(C,H,M,U)1P24B | A95UH2V070B12S | 13.50 | 11.00 | 28000 | 20400 | 1000 | 3/4 | 3/8 | 3/4 | 3/8 | 3/4 | 3/8 | 0.063 | A4TXV01 |
| | E(C,H,M,U)1P24B | A97DSMV070B12 | 13.50 | 11.00 | 28000 | 20400 | 1000 | 3/4 | 3/8 | 3/4 | 3/8 | 3/4 | 3/8 | 0.063 | A4TXV01 |
| | E(C,H,M,U)1P24B | A97USMV070B12 | 13.50 | 11.00 | 28000 | 20400 | 1000 | 3/4 | 3/8 | 3/4 | 3/8 | 3/4 | 3/8 | 0.063 | A4TXV01 |
| | E(C,H,M,U)1P24B | A96DFMV070B12 | 13.50 | 11.00 | 28000 | 20400 | 1000 | 3/4 | 3/8 | 3/4 | 3/8 | 3/4 | 3/8 | 0.063 | A4TXV01 |
| | E(C,H,M,U)1P24B | A96UHMV070B12 | 13.50 | 11.00 | 28000 | 20400 | 1000 | 3/4 | 3/8 | 3/4 | 3/8 | 3/4 | 3/8 | 0.063 | A4TXV01 |
| | E(C,H,M,U)1P24B | LB*80*84/95V14 | 13.50 | 11.00 | 28000 | 20400 | 1000 | 3/4 | 3/8 | 3/4 | 3/8 | 3/4 | 3/8 | 0.063 | A4TXV01 |
| | E(C,H,M,U)1P24B | LH*80*84/95V12 | 13.50 | 11.00 | 28000 | 20400 | 1000 | 3/4 | 3/8 | 3/4 | 3/8 | 3/4 | 3/8 | 0.063 | A4TXV01 |
| | E(C,H,M,U)1P24B | LUF80*84/95V14 | 13.50 | 11.00 | 28000 | 20400 | 1000 | 3/4 | 3/8 | 3/4 | 3/8 | 3/4 | 3/8 | 0.063 | A4TXV01 |
| | E(C,H,M,U)1P29B | EFV12BC | 13.50 | 11.00 | 28000 | 20400 | 1000 | 3/4 | 3/8 | 3/4 | 3/8 | 3/4 | 3/8 | 0.063 | A4TXV01 |
| | E(C,H,M,U)1P29A | A80DF1E045A12 | 13.50 | 11.00 | 28000 | 20400 | 1000 | 3/4 | 3/8 | 3/4 | 3/8 | 3/4 | 3/8 | 0.063 | A4TXV01 |
| | E(C,H,M,U)1P29B | A80DF1E070B12 | 13.50 | 11.00 | 28000 | 20400 | 1000 | 3/4 | 3/8 | 3/4 | 3/8 | 3/4 | 3/8 | 0.063 | A4TXV01 |
| | E(C,H,M,U)1P29B | A80DF1E090B16 | 13.50 | 11.00 | 28000 | 20400 | 1000 | 3/4 | 3/8 | 3/4 | 3/8 | 3/4 | 3/8 | 0.063 | A4TXV01 |
| | E(C,H,M,U)1P29A | A80DF2V070A12 | 13.50 | 11.00 | 28000 | 20400 | 1000 | 3/4 | 3/8 | 3/4 | 3/8 | 3/4 | 3/8 | 0.063 | A4TXV01 |
| | E(C,H,M,U)1P29B | A80DF2V090B16 | 13.50 | 11.00 | 28000 | 20400 | 1000 | 3/4 | 3/8 | 3/4 | 3/8 | 3/4 | 3/8 | 0.063 | A4TXV01 |
| | E(C,H,M,U)1P29A | A80UH1E045A12* | 13.50 | 11.00 | 28000 | 20400 | 1000 | 3/4 | 3/8 | 3/4 | 3/8 | 3/4 | 3/8 | 0.063 | A4TXV01 |
| | E(C,H,M,U)1P29B | A80UH1E070B12* | 13.50 | 11.00 | 28000 | 20400 | 1000 | 3/4 | 3/8 | 3/4 | 3/8 | 3/4 | 3/8 | 0.063 | A4TXV01 |
| | E(C,H,M,U)1P29B | A80UH1E090B16* | 13.50 | 11.00 | 28000 | 20400 | 1000 | 3/4 | 3/8 | 3/4 | 3/8 | 3/4 | 3/8 | 0.063 | A4TXV01 |

Note:

¹ Certified in accordance with Unitary Air Conditioner Certification Program, which is based on AHRI Standard 210/240

² Required to achieve AHRI rating. If NA (Not Applicable) is in the piston column, then TXV is required

³ A blower time delay relay is required to achieve AHRI rating. This feature is standard on all Allied Air Enterprises furnace and AH products.

Cooling Performance with Air Handlers and Furnaces 30

| Outdoor Model | Indoor Model | Variable Speed Furnace | SEER | EER | Rated ARI Capacity ¹ BTUH | Rated Sensible Capacity BTUH | CFM | Refrigerant Connection | | | | Refrigerant Line Size | | Indoor Expansion Device | |
|-------------------|---|------------------------|-------|-------|--------------------------------------|------------------------------|------|------------------------|--------|---------|--------|-----------------------|--------|-------------------------|---------|
| | Evaporator Coil or Air Handler ³ | | | | | | | Outdoor | | Indoor | | Suction | Liquid | Piston ² | TXV |
| | | | | | | | | Suction | Liquid | Suction | Liquid | | | | |
| 4AC13L 30P-7,8 | E(C,H,M,U)1P29A | A80UH2V070A12 | 13.50 | 11.00 | 28000 | 20400 | 1000 | 3/4 | 3/8 | 3/4 | 3/8 | 3/4 | 3/8 | 0.063 | A4TXV01 |
| | E(C,H,M,U)1P29B | A80UH2V090B12 | 13.50 | 11.00 | 28000 | 20400 | 1000 | 3/4 | 3/8 | 3/4 | 3/8 | 3/4 | 3/8 | 0.063 | A4TXV01 |
| | E(C,H,M,U)1P29B | A80UH2V090B16 | 13.50 | 11.00 | 28000 | 20400 | 1000 | 3/4 | 3/8 | 3/4 | 3/8 | 3/4 | 3/8 | 0.063 | A4TXV01 |
| | E(C,H,M,U)1P29B | A95DF1E045B12S | 13.50 | 11.00 | 28000 | 20400 | 1000 | 3/4 | 3/8 | 3/4 | 3/8 | 3/4 | 3/8 | 0.063 | A4TXV01 |
| | E(C,H,M,U)1P29B | A95DF1E070B16S | 13.50 | 11.00 | 28000 | 20400 | 1000 | 3/4 | 3/8 | 3/4 | 3/8 | 3/4 | 3/8 | 0.063 | A4TXV01 |
| | E(C,H,M,U)1P29B | A95DF2V045B12S | 13.50 | 11.00 | 28000 | 20400 | 1000 | 3/4 | 3/8 | 3/4 | 3/8 | 3/4 | 3/8 | 0.063 | A4TXV01 |
| | E(C,H,M,U)1P29B | A95DF2V070B16S | 13.50 | 11.00 | 28000 | 20400 | 1000 | 3/4 | 3/8 | 3/4 | 3/8 | 3/4 | 3/8 | 0.063 | A4TXV01 |
| | E(C,H,M,U)1P29B | A95UH1E045B12S | 13.50 | 11.00 | 28000 | 20400 | 1000 | 3/4 | 3/8 | 3/4 | 3/8 | 3/4 | 3/8 | 0.063 | A4TXV01 |
| | E(C,H,M,U)1P29B | A95UH1E070B12S | 13.50 | 11.00 | 28000 | 20400 | 1000 | 3/4 | 3/8 | 3/4 | 3/8 | 3/4 | 3/8 | 0.063 | A4TXV01 |
| | E(C,H,M,U)1P29B | A95UH2V045B12S | 13.50 | 11.00 | 28000 | 20400 | 1000 | 3/4 | 3/8 | 3/4 | 3/8 | 3/4 | 3/8 | 0.063 | A4TXV01 |
| | E(C,H,M,U)1P29B | A95UH2V070B12S | 13.50 | 11.00 | 28000 | 20400 | 1000 | 3/4 | 3/8 | 3/4 | 3/8 | 3/4 | 3/8 | 0.063 | A4TXV01 |
| | E(C,H,M,U)1P29B | A97DSMV070B12 | 13.50 | 11.00 | 28000 | 20400 | 1000 | 3/4 | 3/8 | 3/4 | 3/8 | 3/4 | 3/8 | 0.063 | A4TXV01 |
| | E(C,H,M,U)1P29B | A97USMV070B12 | 13.50 | 11.00 | 28000 | 20400 | 1000 | 3/4 | 3/8 | 3/4 | 3/8 | 3/4 | 3/8 | 0.063 | A4TXV01 |
| | E(C,H,M,U)1P29B | A96DFMV070B12 | 13.50 | 11.00 | 28000 | 20400 | 1000 | 3/4 | 3/8 | 3/4 | 3/8 | 3/4 | 3/8 | 0.063 | A4TXV01 |
| | E(C,H,M,U)1P29B | A96UHMV070B12 | 13.50 | 11.00 | 28000 | 20400 | 1000 | 3/4 | 3/8 | 3/4 | 3/8 | 3/4 | 3/8 | 0.063 | A4TXV01 |
| | E(C,H,M,U)1P29B | LB*80*84/95V14 | 13.50 | 11.00 | 28000 | 20400 | 1000 | 3/4 | 3/8 | 3/4 | 3/8 | 3/4 | 3/8 | 0.063 | A4TXV01 |
| | E(C,H,M,U)1P29B | LH*80*84/95V12 | 13.50 | 11.00 | 28000 | 20400 | 1000 | 3/4 | 3/8 | 3/4 | 3/8 | 3/4 | 3/8 | 0.063 | A4TXV01 |
| | E(C,H,M,U)1P29B | LUF80*57/72V12 | 13.50 | 11.00 | 28000 | 20400 | 1000 | 3/4 | 3/8 | 3/4 | 3/8 | 3/4 | 3/8 | 0.063 | A4TXV01 |
| | E(C,H,M,U)1P29B | LUF80*84/95V14 | 13.50 | 11.00 | 28000 | 20400 | 1000 | 3/4 | 3/8 | 3/4 | 3/8 | 3/4 | 3/8 | 0.063 | A4TXV01 |
| | E(C,H,M,U)1P30B | EFV12BC | 13.50 | 11.00 | 28000 | 20400 | 1000 | 3/4 | 3/8 | 3/4 | 3/8 | 3/4 | 3/8 | 0.063 | A4TXV01 |
| | E(C,H,M,U)1P30A | A80DF1E045A12 | 13.50 | 11.00 | 28000 | 20400 | 1000 | 3/4 | 3/8 | 3/4 | 3/8 | 3/4 | 3/8 | 0.063 | A4TXV01 |
| | E(C,H,M,U)1P30B | A80DF1E070B12 | 13.50 | 11.00 | 28000 | 20400 | 1000 | 3/4 | 3/8 | 3/4 | 3/8 | 3/4 | 3/8 | 0.063 | A4TXV01 |
| | E(C,H,M,U)1P30B | A80DF1E090B16 | 13.50 | 11.00 | 28000 | 20400 | 1000 | 3/4 | 3/8 | 3/4 | 3/8 | 3/4 | 3/8 | 0.063 | A4TXV01 |
| | E(C,H,M,U)1P30A | A80DF2V070A12 | 13.50 | 11.00 | 28000 | 20400 | 1000 | 3/4 | 3/8 | 3/4 | 3/8 | 3/4 | 3/8 | 0.063 | A4TXV01 |
| | E(C,H,M,U)1P30B | A80DF2V090B16 | 13.50 | 11.00 | 28000 | 20400 | 1000 | 3/4 | 3/8 | 3/4 | 3/8 | 3/4 | 3/8 | 0.063 | A4TXV01 |
| | E(C,H,M,U)1P30C | A80DF2V110C20 | 13.50 | 11.00 | 28000 | 20400 | 1000 | 3/4 | 3/8 | 3/4 | 3/8 | 3/4 | 3/8 | 0.063 | A4TXV01 |
| | E(C,H,M,U)1P30A | A80UH1E045A12* | 13.50 | 11.00 | 28000 | 20400 | 1000 | 3/4 | 3/8 | 3/4 | 3/8 | 3/4 | 3/8 | 0.063 | A4TXV01 |
| | E(C,H,M,U)1P30B | A80UH1E070B12* | 13.50 | 11.00 | 28000 | 20400 | 1000 | 3/4 | 3/8 | 3/4 | 3/8 | 3/4 | 3/8 | 0.063 | A4TXV01 |
| | E(C,H,M,U)1P30B | A80UH1E090B16* | 13.50 | 11.00 | 28000 | 20400 | 1000 | 3/4 | 3/8 | 3/4 | 3/8 | 3/4 | 3/8 | 0.063 | A4TXV01 |
| | E(C,H,M,U)1P30A | A80UH2V070A12 | 13.50 | 11.00 | 28000 | 20400 | 1000 | 3/4 | 3/8 | 3/4 | 3/8 | 3/4 | 3/8 | 0.063 | A4TXV01 |

Note:

¹ Certified in accordance with Unitary Air Conditioner Certification Program, which is based on AHRI Standard 210/240

² Required to achieve AHRI rating. If NA (Not Applicable) is in the piston column, then TXV is required.

³ A blower time delay relay is required to achieve AHRI rating. This feature is standard on all Allied Air Enterprises furnace and AH products.

13 SEER Split System Air Conditioner

Cooling Performance with Air Handlers and Furnaces 30

| Outdoor Model | Indoor Model | Variable Speed Furnace | SEER | EER | Rated ARI Capacity ¹ BTUH | Rated Sensible Capacity BTUH | CFM | Refrigerant Connection | | | | Refrigerant Line Size | | Indoor Expansion Device | |
|-------------------|---|------------------------|-------|-------|--------------------------------------|------------------------------|------|------------------------|--------|---------|--------|-----------------------|--------|-------------------------|---------|
| | Evaporator Coil or Air Handler ³ | | | | | | | Outdoor | | Indoor | | Suction | Liquid | Piston ² | TXV |
| | | | | | | | | Suction | Liquid | Suction | Liquid | | | | |
| 4AC13L 30P-7,8 | E(C,H,M,U)1P30B | A80UH2V090B12 | 13.50 | 11.00 | 28000 | 20400 | 1000 | 3/4 | 3/8 | 3/4 | 3/8 | 3/4 | 3/8 | 0.063 | A4TXV01 |
| | E(C,H,M,U)1P30B | A80UH2V090B16 | 13.50 | 11.00 | 28000 | 20400 | 1000 | 3/4 | 3/8 | 3/4 | 3/8 | 3/4 | 3/8 | 0.063 | A4TXV01 |
| | E(C,H,M,U)1P30C | A80UH2V090C20 | 13.50 | 11.00 | 28000 | 20400 | 1000 | 3/4 | 3/8 | 3/4 | 3/8 | 3/4 | 3/8 | 0.063 | A4TXV01 |
| | E(C,H,M,U)1P30B | A95DF1E045B12S | 13.50 | 11.00 | 28000 | 20400 | 1000 | 3/4 | 3/8 | 3/4 | 3/8 | 3/4 | 3/8 | 0.063 | A4TXV01 |
| | E(C,H,M,U)1P30B | A95DF1E070B16S | 13.50 | 11.00 | 28000 | 20400 | 1000 | 3/4 | 3/8 | 3/4 | 3/8 | 3/4 | 3/8 | 0.063 | A4TXV01 |
| | E(C,H,M,U)1P30C | A95DF1E090C16S | 13.50 | 11.00 | 28000 | 20400 | 1000 | 3/4 | 3/8 | 3/4 | 3/8 | 3/4 | 3/8 | 0.063 | A4TXV01 |
| | E(C,H,M,U)1P30B | A95DF2V045B12S | 13.50 | 11.00 | 28000 | 20400 | 1000 | 3/4 | 3/8 | 3/4 | 3/8 | 3/4 | 3/8 | 0.063 | A4TXV01 |
| | E(C,H,M,U)1P30B | A95DF2V070B16S | 13.50 | 11.00 | 28000 | 20400 | 1000 | 3/4 | 3/8 | 3/4 | 3/8 | 3/4 | 3/8 | 0.063 | A4TXV01 |
| | E(C,H,M,U)1P30C | A95DF2V090C20S | 13.50 | 11.00 | 28000 | 20400 | 1000 | 3/4 | 3/8 | 3/4 | 3/8 | 3/4 | 3/8 | 0.063 | A4TXV01 |
| | E(C,H,M,U)1P30C | A95DF2V110C20S | 13.50 | 11.00 | 28000 | 20400 | 1000 | 3/4 | 3/8 | 3/4 | 3/8 | 3/4 | 3/8 | 0.063 | A4TXV01 |
| | E(C,H,M,U)1P30B | A95UH1E045B12S | 13.50 | 11.00 | 28000 | 20400 | 1000 | 3/4 | 3/8 | 3/4 | 3/8 | 3/4 | 3/8 | 0.063 | A4TXV01 |
| | E(C,H,M,U)1P30B | A95UH1E070B12S | 13.50 | 11.00 | 28000 | 20400 | 1000 | 3/4 | 3/8 | 3/4 | 3/8 | 3/4 | 3/8 | 0.063 | A4TXV01 |
| | E(C,H,M,U)1P30C | A95UH1E090C16S | 13.50 | 11.00 | 28000 | 20400 | 1000 | 3/4 | 3/8 | 3/4 | 3/8 | 3/4 | 3/8 | 0.063 | A4TXV01 |
| | E(C,H,M,U)1P30B | A95UH2V045B12S | 13.50 | 11.00 | 28000 | 20400 | 1000 | 3/4 | 3/8 | 3/4 | 3/8 | 3/4 | 3/8 | 0.063 | A4TXV01 |
| | E(C,H,M,U)1P30B | A95UH2V070B12S | 13.50 | 11.00 | 28000 | 20400 | 1000 | 3/4 | 3/8 | 3/4 | 3/8 | 3/4 | 3/8 | 0.063 | A4TXV01 |
| | E(C,H,M,U)1P30C | A95UH2V090C12S | 13.50 | 11.00 | 28000 | 20400 | 1000 | 3/4 | 3/8 | 3/4 | 3/8 | 3/4 | 3/8 | 0.063 | A4TXV01 |
| | E(C,H,M,U)1P30B | A97DSMV070B12 | 13.50 | 11.00 | 28000 | 20400 | 1000 | 3/4 | 3/8 | 3/4 | 3/8 | 3/4 | 3/8 | 0.063 | A4TXV01 |
| | E(C,H,M,U)1P30C | A97DSMV090C16 | 13.50 | 11.00 | 28000 | 20400 | 1000 | 3/4 | 3/8 | 3/4 | 3/8 | 3/4 | 3/8 | 0.063 | A4TXV01 |
| | E(C,H,M,U)1P30B | A97USMV070B12 | 13.50 | 11.00 | 28000 | 20400 | 1000 | 3/4 | 3/8 | 3/4 | 3/8 | 3/4 | 3/8 | 0.063 | A4TXV01 |
| | E(C,H,M,U)1P30C | A97USMV090C12 | 13.50 | 11.00 | 28000 | 20400 | 1000 | 3/4 | 3/8 | 3/4 | 3/8 | 3/4 | 3/8 | 0.063 | A4TXV01 |
| | E(C,H,M,U)1P30B | A96DFMV070B12 | 13.50 | 11.00 | 28000 | 20400 | 1000 | 3/4 | 3/8 | 3/4 | 3/8 | 3/4 | 3/8 | 0.063 | A4TXV01 |
| | E(C,H,M,U)1P30C | A96DFMV090C16 | 13.50 | 11.00 | 28000 | 20400 | 1000 | 3/4 | 3/8 | 3/4 | 3/8 | 3/4 | 3/8 | 0.063 | A4TXV01 |
| | E(C,H,M,U)1P30B | A96UHMV070B12 | 13.50 | 11.00 | 28000 | 20400 | 1000 | 3/4 | 3/8 | 3/4 | 3/8 | 3/4 | 3/8 | 0.063 | A4TXV01 |
| | E(C,H,M,U)1P30C | A96UHMV090C12 | 13.50 | 11.00 | 28000 | 20400 | 1000 | 3/4 | 3/8 | 3/4 | 3/8 | 3/4 | 3/8 | 0.063 | A4TXV01 |
| | E(C,H,M,U)1P30B, C | LB*80*84/95V14 | 13.50 | 11.00 | 28000 | 20400 | 1000 | 3/4 | 3/8 | 3/4 | 3/8 | 3/4 | 3/8 | 0.063 | A4TXV01 |
| | E(C,H,M,U)1P30B, C | LH*80*84/95V12 | 13.50 | 11.00 | 28000 | 20400 | 1000 | 3/4 | 3/8 | 3/4 | 3/8 | 3/4 | 3/8 | 0.063 | A4TXV01 |
| | E(C,H,M,U)1P30B, C | LUF80*57/72V12 | 13.00 | 11.00 | 28000 | 20400 | 1000 | 3/4 | 3/8 | 3/4 | 3/8 | 3/4 | 3/8 | 0.063 | A4TXV01 |
| | E(C,H,M,U)1P30B, C | LUF80*84/95V14 | 13.50 | 11.00 | 28000 | 20400 | 1000 | 3/4 | 3/8 | 3/4 | 3/8 | 3/4 | 3/8 | 0.063 | A4TXV01 |
| | E(C,H,M,U)1P36B | EFV12BC | 13.50 | 11.00 | 28000 | 20400 | 1000 | 3/4 | 3/8 | 3/4 | 3/8 | 3/4 | 3/8 | 0.063 | A4TXV01 |
| | E(C,H,M,U)1P36A | A80DF1E045A12 | 13.50 | 11.00 | 28000 | 20400 | 1000 | 3/4 | 3/8 | 3/4 | 3/8 | 3/4 | 3/8 | 0.063 | A4TXV01 |

Note:

¹ Certified in accordance with Unitary Air Conditioner Certification Program, which is based on AHRI Standard 210/240

² Required to achieve AHRI rating. If NA (Not Applicable) is in the piston column, then TXV is required.

³ A blower time delay relay is required to achieve AHRI rating. This feature is standard on all Allied Air Enterprises furnace and AH products.

Cooling Performance with Air Handlers and Furnaces 30

| Outdoor Model | Indoor Model | Variable Speed Furnace | SEER | EER | Rated ARI Capacity ¹ BTUH | Rated Sensible Capacity BTUH | CFM | Refrigerant Connection | | | | Refrigerant Line Size | | Indoor Expansion Device | |
|-------------------|---|------------------------|-------|-------|--------------------------------------|------------------------------|------|------------------------|--------|---------|--------|-----------------------|--------|-------------------------|---------|
| | Evaporator Coil or Air Handler ³ | | | | | | | Outdoor | | Indoor | | Suction | Liquid | Piston ² | TXV |
| | | | | | | | | Suction | Liquid | Suction | Liquid | | | | |
| 4AC13L 30P-7,8 | E(C,H,M,U)1P36B | A80DF1E070B12 | 13.50 | 11.00 | 28000 | 20400 | 1000 | 3/4 | 3/8 | 3/4 | 3/8 | 3/4 | 3/8 | 0.063 | A4TXV01 |
| | E(C,H,M,U)1P36B | A80DF1E090B16 | 13.50 | 11.00 | 28000 | 20400 | 1000 | 3/4 | 3/8 | 3/4 | 3/8 | 3/4 | 3/8 | 0.063 | A4TXV01 |
| | E(C,H,M,U)1P36A | A80DF2V070A12 | 13.50 | 11.00 | 28000 | 20400 | 1000 | 3/4 | 3/8 | 3/4 | 3/8 | 3/4 | 3/8 | 0.063 | A4TXV01 |
| | E(C,H,M,U)1P36B | A80DF2V090B16 | 13.50 | 11.00 | 28000 | 20400 | 1000 | 3/4 | 3/8 | 3/4 | 3/8 | 3/4 | 3/8 | 0.063 | A4TXV01 |
| | E(C,H,M,U)1P36C | A80DF2V110C20 | 13.50 | 11.00 | 28000 | 20400 | 1000 | 3/4 | 3/8 | 3/4 | 3/8 | 3/4 | 3/8 | 0.063 | A4TXV01 |
| | E(C,H,M,U)1P36A | A80UH1E045A12* | 13.50 | 11.00 | 28000 | 20400 | 1000 | 3/4 | 3/8 | 3/4 | 3/8 | 3/4 | 3/8 | 0.063 | A4TXV01 |
| | E(C,H,M,U)1P36B | A80UH1E070B12* | 13.50 | 11.00 | 28000 | 20400 | 1000 | 3/4 | 3/8 | 3/4 | 3/8 | 3/4 | 3/8 | 0.063 | A4TXV01 |
| | E(C,H,M,U)1P36B | A80UH1E090B16* | 13.50 | 11.00 | 28000 | 20400 | 1000 | 3/4 | 3/8 | 3/4 | 3/8 | 3/4 | 3/8 | 0.063 | A4TXV01 |
| | E(C,H,M,U)1P36A | A80UH2V070A12 | 13.50 | 11.00 | 28000 | 20400 | 1000 | 3/4 | 3/8 | 3/4 | 3/8 | 3/4 | 3/8 | 0.063 | A4TXV01 |
| | E(C,H,M,U)1P36B | A80UH2V090B12 | 13.50 | 11.00 | 28000 | 20400 | 1000 | 3/4 | 3/8 | 3/4 | 3/8 | 3/4 | 3/8 | 0.063 | A4TXV01 |
| | E(C,H,M,U)1P36B | A80UH2V090B16 | 13.50 | 11.00 | 28000 | 20400 | 1000 | 3/4 | 3/8 | 3/4 | 3/8 | 3/4 | 3/8 | 0.063 | A4TXV01 |
| | E(C,H,M,U)1P36C | A80UH2V090C20 | 13.50 | 11.00 | 28000 | 20400 | 1000 | 3/4 | 3/8 | 3/4 | 3/8 | 3/4 | 3/8 | 0.063 | A4TXV01 |
| | E(C,H,M,U)1P36B | A95DF1E045B12S | 13.50 | 11.00 | 28000 | 20400 | 1000 | 3/4 | 3/8 | 3/4 | 3/8 | 3/4 | 3/8 | 0.063 | A4TXV01 |
| | E(C,H,M,U)1P36B | A95DF1E070B16S | 13.50 | 11.00 | 28000 | 20400 | 1000 | 3/4 | 3/8 | 3/4 | 3/8 | 3/4 | 3/8 | 0.063 | A4TXV01 |
| | E(C,H,M,U)1P36C | A95DF1E090C16S | 13.50 | 11.00 | 28000 | 20400 | 1000 | 3/4 | 3/8 | 3/4 | 3/8 | 3/4 | 3/8 | 0.063 | A4TXV01 |
| | E(C,H,M,U)1P36B | A95DF2V045B12S | 13.50 | 11.00 | 28000 | 20400 | 1000 | 3/4 | 3/8 | 3/4 | 3/8 | 3/4 | 3/8 | 0.063 | A4TXV01 |
| | E(C,H,M,U)1P36B | A95DF2V070B16S | 13.50 | 11.00 | 28000 | 20400 | 1000 | 3/4 | 3/8 | 3/4 | 3/8 | 3/4 | 3/8 | 0.063 | A4TXV01 |
| | E(C,H,M,U)1P36C | A95DF2V090C20S | 13.50 | 11.00 | 28000 | 20400 | 1000 | 3/4 | 3/8 | 3/4 | 3/8 | 3/4 | 3/8 | 0.063 | A4TXV01 |
| | E(C,H,M,U)1P36C | A95DF2V110C20S | 13.50 | 11.00 | 28000 | 20400 | 1000 | 3/4 | 3/8 | 3/4 | 3/8 | 3/4 | 3/8 | 0.063 | A4TXV01 |
| | E(C,H,M,U)1P36B | A95UH1E045B12S | 13.50 | 11.00 | 28000 | 20400 | 1000 | 3/4 | 3/8 | 3/4 | 3/8 | 3/4 | 3/8 | 0.063 | A4TXV01 |
| | E(C,H,M,U)1P36B | A95UH1E070B12S | 13.50 | 11.00 | 28000 | 20400 | 1000 | 3/4 | 3/8 | 3/4 | 3/8 | 3/4 | 3/8 | 0.063 | A4TXV01 |
| | E(C,H,M,U)1P36C | A95UH1E090C16S | 13.50 | 11.00 | 28000 | 20400 | 1000 | 3/4 | 3/8 | 3/4 | 3/8 | 3/4 | 3/8 | 0.063 | A4TXV01 |
| | E(C,H,M,U)1P36B | A95UH2V045B12S | 13.50 | 11.00 | 28000 | 20400 | 1000 | 3/4 | 3/8 | 3/4 | 3/8 | 3/4 | 3/8 | 0.063 | A4TXV01 |
| | E(C,H,M,U)1P36B | A95UH2V070B12S | 13.50 | 11.00 | 28000 | 20400 | 1000 | 3/4 | 3/8 | 3/4 | 3/8 | 3/4 | 3/8 | 0.063 | A4TXV01 |
| | E(C,H,M,U)1P36C | A95UH2V090C12S | 13.50 | 11.00 | 28000 | 20400 | 1000 | 3/4 | 3/8 | 3/4 | 3/8 | 3/4 | 3/8 | 0.063 | A4TXV01 |
| | E(C,H,M,U)1P36B | A97DSMV070B12 | 13.50 | 11.00 | 28000 | 20400 | 1000 | 3/4 | 3/8 | 3/4 | 3/8 | 3/4 | 3/8 | 0.063 | A4TXV01 |
| | E(C,H,M,U)1P36C | A97DSMV090C16 | 13.50 | 11.00 | 28000 | 20400 | 1000 | 3/4 | 3/8 | 3/4 | 3/8 | 3/4 | 3/8 | 0.063 | A4TXV01 |
| | E(C,H,M,U)1P36B | A97USMV070B12 | 13.50 | 11.00 | 28000 | 20400 | 1000 | 3/4 | 3/8 | 3/4 | 3/8 | 3/4 | 3/8 | 0.063 | A4TXV01 |
| | E(C,H,M,U)1P36C | A97USMV090C12 | 13.50 | 11.00 | 28000 | 20400 | 1000 | 3/4 | 3/8 | 3/4 | 3/8 | 3/4 | 3/8 | 0.063 | A4TXV01 |
| | E(C,H,M,U)1P36B | A96DFMV070B12 | 13.50 | 11.00 | 28000 | 20400 | 1000 | 3/4 | 3/8 | 3/4 | 3/8 | 3/4 | 3/8 | 0.063 | A4TXV01 |

Note:

¹ Certified in accordance with Unitary Air Conditioner Certification Program, which is based on AHRI Standard 210/240² Required to achieve AHRI rating. If NA (Not Applicable) is in the piston column, then TXV is required.³ A blower time delay relay is required to achieve AHRI rating. This feature is standard on all Allied Air Enterprises furnace and AH products.

13 SEER Split System Air Conditioner

Cooling Performance with Air Handlers and Furnaces 30, 36

| Outdoor Model | Indoor Model | Variable Speed Furnace | SEER | EER | Rated ARI Capacity ¹ BTUH | Rated Sensible Capacity BTUH | CFM | Refrigerant Connection | | | | Refrigerant Line Size | | Indoor Expansion Device | |
|-------------------|---|------------------------|-------|-------|--------------------------------------|------------------------------|------|------------------------|--------|---------|--------|-----------------------|--------|-------------------------|---------|
| | Evaporator Coil or Air Handler ³ | | | | | | | Outdoor | | Indoor | | Suction | Liquid | Piston ² | TXV |
| | | | | | | | | Suction | Liquid | Suction | Liquid | | | | |
| 4AC13L 30P-7,8 | E(C,H,M,U)1P36C | A96DFMV090C16 | 13.50 | 11.00 | 28000 | 20400 | 1000 | 3/4 | 3/8 | 3/4 | 3/8 | 3/4 | 3/8 | 0.063 | A4TXV01 |
| | E(C,H,M,U)1P36B | A96UHMV070B12 | 13.50 | 11.00 | 28000 | 20400 | 1000 | 3/4 | 3/8 | 3/4 | 3/8 | 3/4 | 3/8 | 0.063 | A4TXV01 |
| | E(C,H,M,U)1P36C | A96UHMV090C12 | 13.50 | 11.00 | 28000 | 20400 | 1000 | 3/4 | 3/8 | 3/4 | 3/8 | 3/4 | 3/8 | 0.063 | A4TXV01 |
| | E(C,H,M,U)1P36B, C | LB*80*84/95V14 | 13.50 | 11.00 | 28000 | 20400 | 1000 | 3/4 | 3/8 | 3/4 | 3/8 | 3/4 | 3/8 | 0.063 | A4TXV01 |
| | E(C,H,M,U)1P36B, C | LH*80*84/95V12 | 13.50 | 11.00 | 28000 | 20400 | 1000 | 3/4 | 3/8 | 3/4 | 3/8 | 3/4 | 3/8 | 0.063 | A4TXV01 |
| | E(C,H,M,U)1P36B, C | LUF80*57/72V12 | 13.50 | 11.00 | 28000 | 20400 | 1000 | 3/4 | 3/8 | 3/4 | 3/8 | 3/4 | 3/8 | 0.063 | A4TXV01 |
| | E(C,H,M,U)1P36B, C | LUF80*84/95V14 | 13.50 | 11.00 | 28000 | 20400 | 1000 | 3/4 | 3/8 | 3/4 | 3/8 | 3/4 | 3/8 | 0.063 | A4TXV01 |
| 4AC13L 36P-7,8 | BCS2M36C****P | | 13.00 | 11.00 | 34000 | 25000 | 1200 | 3/4 | 3/8 | 7/8 | 3/8 | 3/4 | 3/8 | 0.072 | A4TXV01 |
| | BCS3M36C****P | | 13.00 | 11.00 | 34000 | 25000 | 1200 | 3/4 | 3/8 | 7/8 | 3/8 | 3/4 | 3/8 | 0.072 | A4TXV01 |
| | BCE3M36C****P | | 13.00 | 11.00 | 34000 | 25000 | 1200 | 3/4 | 3/8 | 7/8 | 3/8 | 3/4 | 3/8 | 0.072 | A4TXV01 |
| | BCS2M36V****P | | 13.50 | 11.00 | 34000 | 25000 | 1200 | 3/4 | 3/8 | 7/8 | 3/8 | 3/4 | 3/8 | 0.072 | A4TXV01 |
| | E(C,H,M,U)1P36B | EFV12BC | 13.50 | 11.00 | 34000 | 25000 | 1200 | 3/4 | 3/8 | 7/8 | 3/8 | 3/4 | 3/8 | 0.072 | A4TXV01 |
| | E(C,H,M,U)1P36B | A80DF1E090B16 | 13.50 | 11.00 | 34000 | 25000 | 1200 | 3/4 | 3/8 | 7/8 | 3/8 | 3/4 | 3/8 | 0.072 | A4TXV01 |
| | E(C,H,M,U)1P36C | A80DF1E110C20 | 13.50 | 11.00 | 34000 | 25000 | 1200 | 3/4 | 3/8 | 7/8 | 3/8 | 3/4 | 3/8 | 0.072 | A4TXV01 |
| | E(C,H,M,U)1P36C | A80DF2V110C20 | 13.50 | 11.00 | 34000 | 25000 | 1200 | 3/4 | 3/8 | 7/8 | 3/8 | 3/4 | 3/8 | 0.072 | A4TXV01 |
| | E(C,H,M,U)1P36B | A80UH1E090B16* | 13.50 | 11.00 | 34000 | 25000 | 1200 | 3/4 | 3/8 | 7/8 | 3/8 | 3/4 | 3/8 | 0.072 | A4TXV01 |
| | E(C,H,M,U)1P36C | A80UH1E090C20* | 13.50 | 11.00 | 34000 | 25000 | 1200 | 3/4 | 3/8 | 7/8 | 3/8 | 3/4 | 3/8 | 0.072 | A4TXV01 |
| | E(C,H,M,U)1P36C | A80UH1E110C20* | 13.50 | 11.00 | 34000 | 25000 | 1200 | 3/4 | 3/8 | 7/8 | 3/8 | 3/4 | 3/8 | 0.072 | A4TXV01 |
| | E(C,H,M,U)1P36C | A80UH2V090C20 | 13.50 | 11.00 | 34000 | 25000 | 1200 | 3/4 | 3/8 | 7/8 | 3/8 | 3/4 | 3/8 | 0.072 | A4TXV01 |
| | E(C,H,M,U)1P36C | A80UH2V110C20 | 13.50 | 11.00 | 34000 | 25000 | 1200 | 3/4 | 3/8 | 7/8 | 3/8 | 3/4 | 3/8 | 0.072 | A4TXV01 |
| | E(C,H,M,U)1P36C | A95DF1E090C16S | 13.50 | 11.00 | 34000 | 25000 | 1200 | 3/4 | 3/8 | 7/8 | 3/8 | 3/4 | 3/8 | 0.072 | A4TXV01 |
| | E(C,H,M,U)1P36C | A95DF1E110C20S | 13.50 | 11.00 | 34000 | 25000 | 1200 | 3/4 | 3/8 | 7/8 | 3/8 | 3/4 | 3/8 | 0.072 | A4TXV01 |
| | E(C,H,M,U)1P36C | A95DF2V090C20S | 13.50 | 11.00 | 34000 | 25000 | 1200 | 3/4 | 3/8 | 7/8 | 3/8 | 3/4 | 3/8 | 0.072 | A4TXV01 |
| | E(C,H,M,U)1P36C | A95DF2V110C20S | 13.50 | 11.00 | 34000 | 25000 | 1200 | 3/4 | 3/8 | 7/8 | 3/8 | 3/4 | 3/8 | 0.072 | A4TXV01 |
| | E(C,H,M,U)1P36C | A95UH1E090C16S | 13.50 | 11.00 | 34000 | 25000 | 1200 | 3/4 | 3/8 | 7/8 | 3/8 | 3/4 | 3/8 | 0.072 | A4TXV01 |
| | E(C,H,M,U)1P36C | A95UH1E110C20S | 13.50 | 11.00 | 34000 | 25000 | 1200 | 3/4 | 3/8 | 7/8 | 3/8 | 3/4 | 3/8 | 0.072 | A4TXV01 |
| | E(C,H,M,U)1P36C | A95UH2V090C12S | 13.50 | 11.00 | 34000 | 25000 | 1200 | 3/4 | 3/8 | 7/8 | 3/8 | 3/4 | 3/8 | 0.072 | A4TXV01 |
| E(C,H,M,U)1P36C | A95UH2V090C16S | 13.50 | 11.00 | 34000 | 25000 | 1200 | 3/4 | 3/8 | 7/8 | 3/8 | 3/4 | 3/8 | 0.072 | A4TXV01 | |
| E(C,H,M,U)1P36C | A95UH2V090C20S | 13.50 | 11.00 | 34000 | 25000 | 1200 | 3/4 | 3/8 | 7/8 | 3/8 | 3/4 | 3/8 | 0.072 | A4TXV01 | |
| E(C,H,M,U)1P36C | A95UH2V110C16S | 13.50 | 11.00 | 34000 | 25000 | 1200 | 3/4 | 3/8 | 7/8 | 3/8 | 3/4 | 3/8 | 0.072 | A4TXV01 | |

Note:

¹ Certified in accordance with Unitary Air Conditioner Certification Program, which is based on AHRI Standard 210/240

² Required to achieve AHRI rating. If NA (Not Applicable) is in the piston column, then TXV is required.

³ A blower time delay relay is required to achieve AHRI rating. This feature is standard on all Allied Air Enterprises furnace and AH products.

Cooling Performance with Air Handlers and Furnaces 36

| Outdoor Model | Indoor Model | Variable Speed Furnace | SEER | EER | Rated ARI Capacity ¹ BTUH | Rated Sensible Capacity BTUH | CFM | Refrigerant Connection | | | | Refrigerant Line Size | | Indoor Expansion Device | | |
|-------------------|---|------------------------|-------|-------|--------------------------------------|------------------------------|-------|------------------------|--------|---------|--------|-----------------------|--------|-------------------------|---------|---------|
| | Evaporator Coil or Air Handler ³ | | | | | | | Outdoor | | Indoor | | Suction | Liquid | Piston ² | TXV | |
| | | | | | | | | Suction | Liquid | Suction | Liquid | | | | | |
| 4AC13L 36P-7,8 | E(C,H,M,U)1P36C | A95UH2V110C20S | 13.50 | 11.00 | 34000 | 25000 | 1200 | 3/4 | 3/8 | 7/8 | 3/8 | 3/4 | 3/8 | 0.072 | A4TXV01 | |
| | E(C,H,M,U)1P36C | A97DSMV090C16 | 13.50 | 11.00 | 34000 | 25000 | 1200 | 3/4 | 3/8 | 7/8 | 3/8 | 3/4 | 3/8 | 0.072 | A4TXV01 | |
| | E(C,H,M,U)1P36C | A97DSMV090C20 | 13.50 | 11.00 | 34000 | 25000 | 1200 | 3/4 | 3/8 | 7/8 | 3/8 | 3/4 | 3/8 | 0.072 | A4TXV01 | |
| | E(C,H,M,U)1P36C | A97DSMV110C20 | 13.50 | 11.00 | 34000 | 25000 | 1200 | 3/4 | 3/8 | 7/8 | 3/8 | 3/4 | 3/8 | 0.072 | A4TXV01 | |
| | E(C,H,M,U)1P36C | A97USMV090C12 | 13.50 | 11.00 | 34000 | 25000 | 1200 | 3/4 | 3/8 | 7/8 | 3/8 | 3/4 | 3/8 | 0.072 | A4TXV01 | |
| | E(C,H,M,U)1P36C | A97USMV090C16 | 13.50 | 11.00 | 34000 | 25000 | 1200 | 3/4 | 3/8 | 7/8 | 3/8 | 3/4 | 3/8 | 0.072 | A4TXV01 | |
| | E(C,H,M,U)1P36C | A97USMV090C20 | 13.50 | 11.00 | 34000 | 25000 | 1200 | 3/4 | 3/8 | 7/8 | 3/8 | 3/4 | 3/8 | 0.072 | A4TXV01 | |
| | E(C,H,M,U)1P36C | A97USMV110C20 | 13.50 | 11.00 | 34000 | 25000 | 1200 | 3/4 | 3/8 | 7/8 | 3/8 | 3/4 | 3/8 | 0.072 | A4TXV01 | |
| | E(C,H,M,U)1P36C | A96DFMV090C16 | 13.50 | 11.00 | 34000 | 25000 | 1200 | 3/4 | 3/8 | 7/8 | 3/8 | 3/4 | 3/8 | 0.072 | A4TXV01 | |
| | E(C,H,M,U)1P36C | A96DFMV090C20 | 13.50 | 11.00 | 34000 | 25000 | 1200 | 3/4 | 3/8 | 7/8 | 3/8 | 3/4 | 3/8 | 0.072 | A4TXV01 | |
| | E(C,H,M,U)1P36C | A96DFMV110C20 | 13.50 | 11.00 | 34000 | 25000 | 1200 | 3/4 | 3/8 | 7/8 | 3/8 | 3/4 | 3/8 | 0.072 | A4TXV01 | |
| | E(C,H,M,U)1P36C | A96UHMV090C12 | 13.50 | 11.00 | 34000 | 25000 | 1200 | 3/4 | 3/8 | 7/8 | 3/8 | 3/4 | 3/8 | 0.072 | A4TXV01 | |
| | E(C,H,M,U)1P36C | A96UHMV090C16 | 13.50 | 11.00 | 34000 | 25000 | 1200 | 3/4 | 3/8 | 7/8 | 3/8 | 3/4 | 3/8 | 0.072 | A4TXV01 | |
| | E(C,H,M,U)1P36C | A96UHMV090C20 | 13.50 | 11.00 | 34000 | 25000 | 1200 | 3/4 | 3/8 | 7/8 | 3/8 | 3/4 | 3/8 | 0.072 | A4TXV01 | |
| | E(C,H,M,U)1P36C | A96UHMV110C20 | 13.50 | 11.00 | 34000 | 25000 | 1200 | 3/4 | 3/8 | 7/8 | 3/8 | 3/4 | 3/8 | 0.072 | A4TXV01 | |
| | E(C,H,M,U)1P43C | EFV12BC | | 13.50 | 11.00 | 34000 | 25000 | 1200 | 3/4 | 3/8 | 7/8 | 3/8 | 3/4 | 3/8 | 0.072 | A4TXV01 |
| | E(C,H,M,U)1P43B | A80DF1E090B16 | | 13.50 | 11.00 | 34000 | 25000 | 1200 | 3/4 | 3/8 | 7/8 | 3/8 | 3/4 | 3/8 | 0.072 | A4TXV01 |
| | E(C,H,M,U)1P43C | A80DF1E110C20 | | 13.50 | 11.00 | 34000 | 25000 | 1200 | 3/4 | 3/8 | 7/8 | 3/8 | 3/4 | 3/8 | 0.072 | A4TXV01 |
| | E(C,H,M,U)1P43B | A80DF2V090B16 | | 13.50 | 11.00 | 34000 | 25000 | 1200 | 3/4 | 3/8 | 7/8 | 3/8 | 3/4 | 3/8 | 0.072 | A4TXV01 |
| | E(C,H,M,U)1P43C | A80DF2V110C20 | | 13.50 | 11.00 | 34000 | 25000 | 1200 | 3/4 | 3/8 | 7/8 | 3/8 | 3/4 | 3/8 | 0.072 | A4TXV01 |
| | E(C,H,M,U)1P43B | A80UH1E090B16* | | 13.50 | 11.00 | 34000 | 25000 | 1200 | 3/4 | 3/8 | 7/8 | 3/8 | 3/4 | 3/8 | 0.072 | A4TXV01 |
| | E(C,H,M,U)1P43C | A80UH1E090C20* | | 13.50 | 11.00 | 34000 | 25000 | 1200 | 3/4 | 3/8 | 7/8 | 3/8 | 3/4 | 3/8 | 0.072 | A4TXV01 |
| | E(C,H,M,U)1P43C | A80UH1E110C20* | | 13.50 | 11.00 | 34000 | 25000 | 1200 | 3/4 | 3/8 | 7/8 | 3/8 | 3/4 | 3/8 | 0.072 | A4TXV01 |
| | E(C,H,M,U)1P43C | A80UH2V090C20 | | 13.50 | 11.00 | 34000 | 25000 | 1200 | 3/4 | 3/8 | 7/8 | 3/8 | 3/4 | 3/8 | 0.072 | A4TXV01 |
| | E(C,H,M,U)1P43C | A80UH2V110C20 | | 13.50 | 11.00 | 34000 | 25000 | 1200 | 3/4 | 3/8 | 7/8 | 3/8 | 3/4 | 3/8 | 0.072 | A4TXV01 |
| | E(C,H,M,U)1P43C | A95DF1E090C16S | | 13.50 | 11.00 | 34000 | 25000 | 1200 | 3/4 | 3/8 | 7/8 | 3/8 | 3/4 | 3/8 | 0.072 | A4TXV01 |
| | E(C,H,M,U)1P43C | A95DF1E110C20S | | 13.50 | 11.00 | 34000 | 25000 | 1200 | 3/4 | 3/8 | 7/8 | 3/8 | 3/4 | 3/8 | 0.072 | A4TXV01 |
| | E(C,H,M,U)1P43C | A95DF2V090C20S | | 13.50 | 11.00 | 34000 | 25000 | 1200 | 3/4 | 3/8 | 7/8 | 3/8 | 3/4 | 3/8 | 0.072 | A4TXV01 |
| | E(C,H,M,U)1P43C | A95DF2V110C20S | | 13.50 | 11.00 | 34000 | 25000 | 1200 | 3/4 | 3/8 | 7/8 | 3/8 | 3/4 | 3/8 | 0.072 | A4TXV01 |
| | E(C,H,M,U)1P43C | A95UH1E090C16S | | 13.50 | 11.00 | 34000 | 25000 | 1200 | 3/4 | 3/8 | 7/8 | 3/8 | 3/4 | 3/8 | 0.072 | A4TXV01 |

Note:

¹ Certified in accordance with Unitary Air Conditioner Certification Program, which is based on AHRI Standard 210/240

² Required to achieve AHRI rating. If NA (Not Applicable) is in the piston column, then TXV is required.

³ A blower time delay relay is required to achieve AHRI rating. This feature is standard on all Allied Air Enterprises furnace and AH products.

13 SEER Split System Air Conditioner

Cooling Performance with Air Handlers and Furnaces 36

| Outdoor Model | Indoor Model | Variable Speed Furnace | SEER | EER | Rated ARI Capacity ¹ BTUH | Rated Sensible Capacity BTUH | CFM | Refrigerant Connection | | | | Refrigerant Line Size | | Indoor Expansion Device | |
|-------------------|---|------------------------|-------|-------|--------------------------------------|------------------------------|------|------------------------|--------|---------|--------|-----------------------|--------|-------------------------|---------|
| | Evaporator Coil or Air Handler ³ | | | | | | | Outdoor | | Indoor | | Suction | Liquid | Piston ² | TXV |
| | | | | | | | | Suction | Liquid | Suction | Liquid | | | | |
| 4AC13L 36P-7,8 | E(C,H,M,U)1P43C | A95UH1E110C20S | 13.50 | 11.00 | 34000 | 25000 | 1200 | 3/4 | 3/8 | 7/8 | 3/8 | 3/4 | 3/8 | 0.072 | A4TXV01 |
| | E(C,H,M,U)1P43C | A95UH2V090C12S | 13.50 | 11.00 | 34000 | 25000 | 1200 | 3/4 | 3/8 | 7/8 | 3/8 | 3/4 | 3/8 | 0.072 | A4TXV01 |
| | E(C,H,M,U)1P43C | A95UH2V090C16S | 13.50 | 11.00 | 34000 | 25000 | 1200 | 3/4 | 3/8 | 7/8 | 3/8 | 3/4 | 3/8 | 0.072 | A4TXV01 |
| | E(C,H,M,U)1P43C | A95UH2V090C20S | 13.50 | 11.00 | 34000 | 25000 | 1200 | 3/4 | 3/8 | 7/8 | 3/8 | 3/4 | 3/8 | 0.072 | A4TXV01 |
| | E(C,H,M,U)1P43C | A95UH2V110C16S | 13.50 | 11.00 | 34000 | 25000 | 1200 | 3/4 | 3/8 | 7/8 | 3/8 | 3/4 | 3/8 | 0.072 | A4TXV01 |
| | E(C,H,M,U)1P43C | A95UH2V110C20S | 13.50 | 11.00 | 34000 | 25000 | 1200 | 3/4 | 3/8 | 7/8 | 3/8 | 3/4 | 3/8 | 0.072 | A4TXV01 |
| | E(C,H,M,U)1P43C | A97DSMV090C16 | 13.50 | 11.00 | 34200 | 25000 | 1200 | 3/4 | 3/8 | 7/8 | 3/8 | 3/4 | 3/8 | 0.072 | A4TXV01 |
| | E(C,H,M,U)1P43C | A97DSMV090C20 | 13.50 | 11.00 | 34200 | 25000 | 1200 | 3/4 | 3/8 | 7/8 | 3/8 | 3/4 | 3/8 | 0.072 | A4TXV01 |
| | E(C,H,M,U)1P43C | A97DSMV110C20 | 13.50 | 11.00 | 34200 | 25000 | 1200 | 3/4 | 3/8 | 7/8 | 3/8 | 3/4 | 3/8 | 0.072 | A4TXV01 |
| | E(C,H,M,U)1P43C | A97USMV090C12 | 13.50 | 11.00 | 34200 | 25000 | 1200 | 3/4 | 3/8 | 7/8 | 3/8 | 3/4 | 3/8 | 0.072 | A4TXV01 |
| | E(C,H,M,U)1P43C | A97USMV090C16 | 13.50 | 11.00 | 34200 | 25000 | 1200 | 3/4 | 3/8 | 7/8 | 3/8 | 3/4 | 3/8 | 0.072 | A4TXV01 |
| | E(C,H,M,U)1P43C | A97USMV090C20 | 13.50 | 11.00 | 34200 | 25000 | 1200 | 3/4 | 3/8 | 7/8 | 3/8 | 3/4 | 3/8 | 0.072 | A4TXV01 |
| | E(C,H,M,U)1P43C | A97USMV110C20 | 13.50 | 11.50 | 34200 | 25000 | 1200 | 3/4 | 3/8 | 7/8 | 3/8 | 3/4 | 3/8 | 0.072 | A4TXV01 |
| | E(C,H,M,U)1P43C | A96DFMV090C16 | 13.50 | 11.00 | 34200 | 25000 | 1200 | 3/4 | 3/8 | 7/8 | 3/8 | 3/4 | 3/8 | 0.072 | A4TXV01 |
| | E(C,H,M,U)1P43C | A96DFMV090C20 | 13.50 | 11.00 | 34200 | 25000 | 1200 | 3/4 | 3/8 | 7/8 | 3/8 | 3/4 | 3/8 | 0.072 | A4TXV01 |
| | E(C,H,M,U)1P43C | A96DFMV110C20 | 13.50 | 11.00 | 34200 | 25000 | 1200 | 3/4 | 3/8 | 7/8 | 3/8 | 3/4 | 3/8 | 0.072 | A4TXV01 |
| | E(C,H,M,U)1P43C | A96UHMV090C12 | 13.50 | 11.00 | 34200 | 25000 | 1200 | 3/4 | 3/8 | 7/8 | 3/8 | 3/4 | 3/8 | 0.072 | A4TXV01 |
| | E(C,H,M,U)1P43C | A96UHMV090C16 | 13.50 | 11.00 | 34200 | 25000 | 1200 | 3/4 | 3/8 | 7/8 | 3/8 | 3/4 | 3/8 | 0.072 | A4TXV01 |
| | E(C,H,M,U)1P43C | A96UHMV090C20 | 13.50 | 11.00 | 34200 | 25000 | 1200 | 3/4 | 3/8 | 7/8 | 3/8 | 3/4 | 3/8 | 0.072 | A4TXV01 |
| | E(C,H,M,U)1P43C | A96UHMV110C20 | 13.50 | 11.50 | 34200 | 25000 | 1200 | 3/4 | 3/8 | 7/8 | 3/8 | 3/4 | 3/8 | 0.072 | A4TXV01 |
| | E(C,H,M,U)1P43C | LB*80*84/95V14 | 13.50 | 11.00 | 34000 | 25000 | 1200 | 3/4 | 3/8 | 7/8 | 3/8 | 3/4 | 3/8 | 0.072 | A4TXV01 |
| | E(C,H,M,U)1P43C | LUF80*84/95V14 | 13.50 | 11.00 | 34000 | 25000 | 1200 | 3/4 | 3/8 | 7/8 | 3/8 | 3/4 | 3/8 | 0.072 | A4TXV01 |
| | E(C,H,M,U)1P43C | LUF80*112/125V20 | 13.50 | 11.00 | 34000 | 25000 | 1200 | 3/4 | 3/8 | 7/8 | 3/8 | 3/4 | 3/8 | 0.072 | A4TXV01 |
| | E(C,H,M,U)1P50C | EFV16CC | 13.50 | 11.00 | 34000 | 25000 | 1200 | 3/4 | 3/8 | 7/8 | 3/8 | 3/4 | 3/8 | 0.072 | A4TXV01 |
| | E(C,H,M,U)1P50C | A80DF1E110C20 | 13.50 | 11.00 | 34000 | 25000 | 1200 | 3/4 | 3/8 | 7/8 | 3/8 | 3/4 | 3/8 | 0.072 | A4TXV01 |
| | E(C,H,M,U)1P50C | A80DF2V110C20 | 13.50 | 11.00 | 34000 | 25000 | 1200 | 3/4 | 3/8 | 7/8 | 3/8 | 3/4 | 3/8 | 0.072 | A4TXV01 |
| | E(C,H,M,U)1P50C | A80UH1E090C20* | 13.50 | 11.00 | 34000 | 25000 | 1200 | 3/4 | 3/8 | 7/8 | 3/8 | 3/4 | 3/8 | 0.072 | A4TXV01 |
| | E(C,H,M,U)1P50C | A80UH1E110C20* | 13.50 | 11.00 | 34000 | 25000 | 1200 | 3/4 | 3/8 | 7/8 | 3/8 | 3/4 | 3/8 | 0.072 | A4TXV01 |
| | E(C,H,M,U)1P50C | A80UH2V090C20 | 13.50 | 11.00 | 34000 | 25000 | 1200 | 3/4 | 3/8 | 7/8 | 3/8 | 3/4 | 3/8 | 0.072 | A4TXV01 |
| | E(C,H,M,U)1P50C | A80UH2V110C20 | 13.50 | 11.00 | 34000 | 25000 | 1200 | 3/4 | 3/8 | 7/8 | 3/8 | 3/4 | 3/8 | 0.072 | A4TXV01 |

Note:

¹ Certified in accordance with Unitary Air Conditioner Certification Program, which is based on AHRI Standard 210/240

² Required to achieve AHRI rating. If NA (Not Applicable) is in the piston column, then TXV is required.

³ A blower time delay relay is required to achieve AHRI rating. This feature is standard on all Allied Air Enterprises furnace and AH products.

Cooling Performance with Air Handlers and Furnaces 36

| Outdoor Model | Indoor Model | Variable Speed Furnace | SEER | EER | Rated ARI Capacity ¹ BTUH | Rated Sensible Capacity BTUH | CFM | Refrigerant Connection | | | | Refrigerant Line Size | | Indoor Expansion Device | |
|-------------------|---|------------------------|-------|-------|--------------------------------------|------------------------------|------|------------------------|--------|---------|--------|-----------------------|--------|-------------------------|---------|
| | Evaporator Coil or Air Handler ³ | | | | | | | Outdoor | | Indoor | | Suction | Liquid | Piston ² | TXV |
| | | | | | | | | Suction | Liquid | Suction | Liquid | | | | |
| 4AC13L 36P-7,8 | E(C,H,M,U)1P50C | A95DF1E090C16S | 13.50 | 11.00 | 34000 | 25000 | 1200 | 3/4 | 3/8 | 7/8 | 3/8 | 3/4 | 3/8 | 0.072 | A4TXV01 |
| | E(C,H,M,U)1P50C | A95DF1E110C20S | 13.50 | 11.00 | 34000 | 25000 | 1200 | 3/4 | 3/8 | 7/8 | 3/8 | 3/4 | 3/8 | 0.072 | A4TXV01 |
| | E(C,H,M,U)1P50C | A95DF2V090C20S | 13.50 | 11.00 | 34000 | 25000 | 1200 | 3/4 | 3/8 | 7/8 | 3/8 | 3/4 | 3/8 | 0.072 | A4TXV01 |
| | E(C,H,M,U)1P50C | A95DF2V110C20S | 13.50 | 11.00 | 34000 | 25000 | 1200 | 3/4 | 3/8 | 7/8 | 3/8 | 3/4 | 3/8 | 0.072 | A4TXV01 |
| | E(C,H,M,U)1P50C | A95UH1E090C16S | 13.50 | 11.00 | 34000 | 25000 | 1200 | 3/4 | 3/8 | 7/8 | 3/8 | 3/4 | 3/8 | 0.072 | A4TXV01 |
| | E(C,H,M,U)1P50C | A95UH1E110C20S | 13.50 | 11.00 | 34000 | 25000 | 1200 | 3/4 | 3/8 | 7/8 | 3/8 | 3/4 | 3/8 | 0.072 | A4TXV01 |
| | E(C,H,M,U)1P50C | A95UH2V090C12S | 13.50 | 11.00 | 34000 | 25000 | 1200 | 3/4 | 3/8 | 7/8 | 3/8 | 3/4 | 3/8 | 0.072 | A4TXV01 |
| | E(C,H,M,U)1P50C | A95UH2V090C16S | 13.50 | 11.00 | 34000 | 25000 | 1200 | 3/4 | 3/8 | 7/8 | 3/8 | 3/4 | 3/8 | 0.072 | A4TXV01 |
| | E(C,H,M,U)1P50C | A95UH2V090C20S | 13.50 | 11.00 | 34000 | 25000 | 1200 | 3/4 | 3/8 | 7/8 | 3/8 | 3/4 | 3/8 | 0.072 | A4TXV01 |
| | E(C,H,M,U)1P50C | A95UH2V110C16S | 13.50 | 11.00 | 34000 | 25000 | 1200 | 3/4 | 3/8 | 7/8 | 3/8 | 3/4 | 3/8 | 0.072 | A4TXV01 |
| | E(C,H,M,U)1P50C | A95UH2V110C20S | 13.50 | 11.00 | 34000 | 25000 | 1200 | 3/4 | 3/8 | 7/8 | 3/8 | 3/4 | 3/8 | 0.072 | A4TXV01 |
| | E(C,H,M,U)1P50C | A97DSMV090C16 | 13.50 | 11.00 | 34000 | 25000 | 1200 | 3/4 | 3/8 | 7/8 | 3/8 | 3/4 | 3/8 | 0.072 | A4TXV01 |
| | E(C,H,M,U)1P50C | A97DSMV090C20 | 13.50 | 11.00 | 34000 | 25000 | 1200 | 3/4 | 3/8 | 7/8 | 3/8 | 3/4 | 3/8 | 0.072 | A4TXV01 |
| | E(C,H,M,U)1P50C | A97DSMV110C20 | 13.50 | 11.00 | 34000 | 25000 | 1200 | 3/4 | 3/8 | 7/8 | 3/8 | 3/4 | 3/8 | 0.072 | A4TXV01 |
| | E(C,H,M,U)1P50C | A97USMV090C12 | 13.50 | 11.00 | 34000 | 25000 | 1200 | 3/4 | 3/8 | 7/8 | 3/8 | 3/4 | 3/8 | 0.072 | A4TXV01 |
| | E(C,H,M,U)1P50C | A97USMV090C16 | 13.50 | 11.00 | 34000 | 25000 | 1200 | 3/4 | 3/8 | 7/8 | 3/8 | 3/4 | 3/8 | 0.072 | A4TXV01 |
| | E(C,H,M,U)1P50C | A97USMV090C20 | 13.50 | 11.00 | 34000 | 25000 | 1200 | 3/4 | 3/8 | 7/8 | 3/8 | 3/4 | 3/8 | 0.072 | A4TXV01 |
| | E(C,H,M,U)1P50C | A97USMV110C20 | 13.50 | 11.00 | 34000 | 25000 | 1200 | 3/4 | 3/8 | 7/8 | 3/8 | 3/4 | 3/8 | 0.072 | A4TXV01 |
| | E(C,H,M,U)1P50C | A96DFMV090C16 | 13.50 | 11.00 | 34000 | 25000 | 1200 | 3/4 | 3/8 | 7/8 | 3/8 | 3/4 | 3/8 | 0.072 | A4TXV01 |
| | E(C,H,M,U)1P50C | A96DFMV090C20 | 13.50 | 11.00 | 34000 | 25000 | 1200 | 3/4 | 3/8 | 7/8 | 3/8 | 3/4 | 3/8 | 0.072 | A4TXV01 |
| | E(C,H,M,U)1P50C | A96DFMV110C20 | 13.50 | 11.00 | 34000 | 25000 | 1200 | 3/4 | 3/8 | 7/8 | 3/8 | 3/4 | 3/8 | 0.072 | A4TXV01 |
| | E(C,H,M,U)1P50C | A96UHMV090C12 | 13.50 | 11.00 | 34000 | 25000 | 1200 | 3/4 | 3/8 | 7/8 | 3/8 | 3/4 | 3/8 | 0.072 | A4TXV01 |
| | E(C,H,M,U)1P50C | A96UHMV090C16 | 13.50 | 11.00 | 34000 | 25000 | 1200 | 3/4 | 3/8 | 7/8 | 3/8 | 3/4 | 3/8 | 0.072 | A4TXV01 |
| | E(C,H,M,U)1P50C | A96UHMV090C20 | 13.50 | 11.00 | 34000 | 25000 | 1200 | 3/4 | 3/8 | 7/8 | 3/8 | 3/4 | 3/8 | 0.072 | A4TXV01 |
| E(C,H,M,U)1P50C | A96UHMV110C20 | 13.50 | 11.00 | 34000 | 25000 | 1200 | 3/4 | 3/8 | 7/8 | 3/8 | 3/4 | 3/8 | 0.072 | A4TXV01 | |
| E(C,H,M,U)1P50C | LUF80*112/125V20 | 13.50 | 11.00 | 34000 | 25000 | 1200 | 3/4 | 3/8 | 7/8 | 3/8 | 3/4 | 3/8 | 0.072 | A4TXV01 | |

Note:

¹ Certified in accordance with Unitary Air Conditioner Certification Program, which is based on AHRI Standard 210/240² Required to achieve AHRI rating. If NA (Not Applicable) is in the piston column, then TXV is required.³ A blower time delay relay is required to achieve AHRI rating. This feature is standard on all Allied Air Enterprises furnace and AH products.

13 SEER Split System Air Conditioner

Cooling Performance with Air Handlers and Furnaces 42

| Outdoor Model | Indoor Model | Variable Speed Furnace | SEER | EER | Rated ARI Capacity ¹ BTUH | Rated Sensible Capacity BTUH | CFM | Refrigerant Connection | | | | Refrigerant Line Size | | Indoor Expansion Device | | |
|-------------------|---|------------------------|-------|-------|--------------------------------------|------------------------------|-------|------------------------|--------|---------|--------|-----------------------|--------|-------------------------|---------|---------|
| | Evaporator Coil or Air Handler ³ | | | | | | | Outdoor | | Indoor | | Suction | Liquid | Piston ² | TXV | |
| | | | | | | | | Suction | Liquid | Suction | Liquid | | | | | |
| 4AC13L 42P-7,8 | BCS2M42C****P | | 13.00 | 11.00 | 40000 | 29200 | 1400 | 3/4 | 3/8 | 7/8 | 3/8 | 3/4 | 3/8 | 0.075 | A4TXV01 | |
| | BCS3M42C****P | | 13.00 | 11.00 | 40000 | 29200 | 1400 | 3/4 | 3/8 | 7/8 | 3/8 | 3/4 | 3/8 | 0.075 | A4TXV01 | |
| | BCE3M42C****P | | 13.00 | 11.00 | 40000 | 29200 | 1400 | 3/4 | 3/8 | 7/8 | 3/8 | 3/4 | 3/8 | 0.075 | A4TXV01 | |
| | BCS2M42V****P | | 13.50 | 11.00 | 40000 | 29200 | 1400 | 3/4 | 3/8 | 7/8 | 3/8 | 3/4 | 3/8 | 0.075 | A4TXV01 | |
| | E(C,H,M,U)1P43C | A80DF1E110C20 | | 13.50 | 11.00 | 40000 | 29200 | 1400 | 3/4 | 3/8 | 7/8 | 3/8 | 3/4 | 3/8 | 0.075 | A4TXV01 |
| | E(C,H,M,U)1P43C | A80DF2V110C20 | | 13.50 | 11.00 | 40000 | 29200 | 1400 | 3/4 | 3/8 | 7/8 | 3/8 | 3/4 | 3/8 | 0.075 | A4TXV01 |
| | E(C,H,M,U)1P43C | A80UH1E090C20* | | 13.50 | 11.00 | 40000 | 29200 | 1400 | 3/4 | 3/8 | 7/8 | 3/8 | 3/4 | 3/8 | 0.075 | A4TXV01 |
| | E(C,H,M,U)1P43C | A80UH1E110C20* | | 13.50 | 11.00 | 40000 | 29200 | 1400 | 3/4 | 3/8 | 7/8 | 3/8 | 3/4 | 3/8 | 0.075 | A4TXV01 |
| | E(C,H,M,U)1P43C | A80UH2V090C20 | | 13.50 | 11.00 | 40000 | 29200 | 1400 | 3/4 | 3/8 | 7/8 | 3/8 | 3/4 | 3/8 | 0.075 | A4TXV01 |
| | E(C,H,M,U)1P43C | A80UH2V110C20 | | 13.50 | 11.00 | 40000 | 29200 | 1400 | 3/4 | 3/8 | 7/8 | 3/8 | 3/4 | 3/8 | 0.075 | A4TXV01 |
| | E(C,H,M,U)1P43C | A95DF1E110C20S | | 13.50 | 11.00 | 40000 | 29200 | 1400 | 3/4 | 3/8 | 7/8 | 3/8 | 3/4 | 3/8 | 0.075 | A4TXV01 |
| | E(C,H,M,U)1P43C | A95UH1E110C20S | | 13.50 | 11.00 | 40000 | 29200 | 1400 | 3/4 | 3/8 | 7/8 | 3/8 | 3/4 | 3/8 | 0.075 | A4TXV01 |
| | E(C,H,M,U)1P43C | A95UH2V090C16S | | 13.50 | 11.00 | 40000 | 29200 | 1400 | 3/4 | 3/8 | 7/8 | 3/8 | 3/4 | 3/8 | 0.075 | A4TXV01 |
| | E(C,H,M,U)1P43C | A95UH2V090C20S | | 13.50 | 11.00 | 40000 | 29200 | 1400 | 3/4 | 3/8 | 7/8 | 3/8 | 3/4 | 3/8 | 0.075 | A4TXV01 |
| | E(C,H,M,U)1P43C | A95UH2V110C16S | | 13.50 | 11.00 | 40000 | 29200 | 1400 | 3/4 | 3/8 | 7/8 | 3/8 | 3/4 | 3/8 | 0.075 | A4TXV01 |
| | E(C,H,M,U)1P43C | A95UH2V110C20S | | 13.50 | 11.00 | 40000 | 29200 | 1400 | 3/4 | 3/8 | 7/8 | 3/8 | 3/4 | 3/8 | 0.075 | A4TXV01 |
| | E(C,H,M,U)1P43C | A97DSMV090C16 | | 13.50 | 11.00 | 40000 | 29200 | 1400 | 3/4 | 3/8 | 7/8 | 3/8 | 3/4 | 3/8 | 0.075 | A4TXV01 |
| | E(C,H,M,U)1P43C | A97DSMV090C20 | | 13.50 | 11.00 | 40000 | 29200 | 1400 | 3/4 | 3/8 | 7/8 | 3/8 | 3/4 | 3/8 | 0.075 | A4TXV01 |
| | E(C,H,M,U)1P43C | A97DSMV110C20 | | 13.50 | 11.00 | 40000 | 29200 | 1400 | 3/4 | 3/8 | 7/8 | 3/8 | 3/4 | 3/8 | 0.075 | A4TXV01 |
| | E(C,H,M,U)1P43C | A97USMV090C16 | | 13.50 | 11.00 | 40000 | 29200 | 1400 | 3/4 | 3/8 | 7/8 | 3/8 | 3/4 | 3/8 | 0.075 | A4TXV01 |
| | E(C,H,M,U)1P43C | A97USMV090C20 | | 13.50 | 11.00 | 40000 | 29200 | 1400 | 3/4 | 3/8 | 7/8 | 3/8 | 3/4 | 3/8 | 0.075 | A4TXV01 |
| | E(C,H,M,U)1P43C | A97USMV110C20 | | 13.50 | 11.00 | 40000 | 29200 | 1400 | 3/4 | 3/8 | 7/8 | 3/8 | 3/4 | 3/8 | 0.075 | A4TXV01 |
| | E(C,H,M,U)1P43C | A96DFMV090C16 | | 13.50 | 11.00 | 40000 | 29200 | 1400 | 3/4 | 3/8 | 7/8 | 3/8 | 3/4 | 3/8 | 0.075 | A4TXV01 |
| | E(C,H,M,U)1P43C | A96DFMV090C20 | | 13.50 | 11.00 | 40000 | 29200 | 1400 | 3/4 | 3/8 | 7/8 | 3/8 | 3/4 | 3/8 | 0.075 | A4TXV01 |
| | E(C,H,M,U)1P43C | A96DFMV110C20 | | 13.50 | 11.00 | 40000 | 29200 | 1400 | 3/4 | 3/8 | 7/8 | 3/8 | 3/4 | 3/8 | 0.075 | A4TXV01 |
| | E(C,H,M,U)1P43C | A96UHMV090C16 | | 13.50 | 11.00 | 40000 | 29200 | 1400 | 3/4 | 3/8 | 7/8 | 3/8 | 3/4 | 3/8 | 0.075 | A4TXV01 |
| | E(C,H,M,U)1P43C | A96UHMV090C20 | | 13.50 | 11.00 | 40000 | 29200 | 1400 | 3/4 | 3/8 | 7/8 | 3/8 | 3/4 | 3/8 | 0.075 | A4TXV01 |
| | E(C,H,M,U)1P43C | A96UHMV110C20 | | 13.50 | 11.00 | 40000 | 29200 | 1400 | 3/4 | 3/8 | 7/8 | 3/8 | 3/4 | 3/8 | 0.075 | A4TXV01 |
| | E(C,H,M,U)1P43C | LUF80*112/125V20 | | 13.50 | 11.00 | 40000 | 29200 | 1400 | 3/4 | 3/8 | 7/8 | 3/8 | 3/4 | 3/8 | 0.075 | A4TXV01 |
| | E(C,H,M,U)1P49C | A80DF1E110C20 | | 13.50 | 11.00 | 40000 | 29200 | 1400 | 3/4 | 3/8 | 7/8 | 3/8 | 3/4 | 3/8 | 0.075 | A4TXV01 |

Note:

¹ Certified in accordance with Unitary Air Conditioner Certification Program, which is based on AHRI Standard 210/240

² Required to achieve AHRI rating. If NA (Not Applicable) is in the piston column, then TXV is required.

³ A blower time delay relay is required to achieve AHRI rating. This feature is standard on all Allied Air Enterprises furnace and AH products.

Cooling Performance with Air Handlers and Furnaces 42

| Outdoor Model | Indoor Model | Variable Speed Furnace | SEER | EER | Rated ARI Capacity ¹ BTUH | Rated Sensible Capacity BTUH | CFM | Refrigerant Connection | | | | Refrigerant Line Size | | Indoor Expansion Device | |
|-------------------|---|------------------------|-------|-------|--------------------------------------|------------------------------|------|------------------------|--------|---------|--------|-----------------------|--------|-------------------------|---------|
| | Evaporator Coil or Air Handler ³ | | | | | | | Outdoor | | Indoor | | Suction | Liquid | Piston ² | TXV |
| | | | | | | | | Suction | Liquid | Suction | Liquid | | | | |
| 4AC13L 42P-7,8 | E(C,H,M,U)1P49C | A80DF2V110C20 | 13.50 | 11.00 | 40000 | 29200 | 1400 | 3/4 | 3/8 | 7/8 | 3/8 | 3/4 | 3/8 | 0.075 | A4TXV01 |
| | E(C,H,M,U)1P49C | A80UH1E090C20* | 13.50 | 11.00 | 40000 | 29200 | 1400 | 3/4 | 3/8 | 7/8 | 3/8 | 3/4 | 3/8 | 0.075 | A4TXV01 |
| | E(C,H,M,U)1P49C | A80UH1E110C20* | 13.50 | 11.00 | 40000 | 29200 | 1400 | 3/4 | 3/8 | 7/8 | 3/8 | 3/4 | 3/8 | 0.075 | A4TXV01 |
| | E(C,H,M,U)1P49C | A80UH2V090C20 | 13.50 | 11.00 | 40000 | 29200 | 1400 | 3/4 | 3/8 | 7/8 | 3/8 | 3/4 | 3/8 | 0.075 | A4TXV01 |
| | E(C,H,M,U)1P49C | A80UH2V110C20 | 13.50 | 11.00 | 40000 | 29200 | 1400 | 3/4 | 3/8 | 7/8 | 3/8 | 3/4 | 3/8 | 0.075 | A4TXV01 |
| | E(C,H,M,U)1P49C | A95DF1E110C20S | 13.50 | 11.00 | 40000 | 29200 | 1400 | 3/4 | 3/8 | 7/8 | 3/8 | 3/4 | 3/8 | 0.075 | A4TXV01 |
| | E(C,H,M,U)1P49C | A95UH1E110C20S | 13.50 | 11.00 | 40000 | 29200 | 1400 | 3/4 | 3/8 | 7/8 | 3/8 | 3/4 | 3/8 | 0.075 | A4TXV01 |
| | E(C,H,M,U)1P49C | A95UH2V090C16S | 13.50 | 11.00 | 40000 | 29200 | 1400 | 3/4 | 3/8 | 7/8 | 3/8 | 3/4 | 3/8 | 0.075 | A4TXV01 |
| | E(C,H,M,U)1P49C | A95UH2V090C20S | 13.50 | 11.00 | 40000 | 29200 | 1400 | 3/4 | 3/8 | 7/8 | 3/8 | 3/4 | 3/8 | 0.075 | A4TXV01 |
| | E(C,H,M,U)1P49C | A95UH2V110C16S | 13.50 | 11.00 | 40000 | 29200 | 1400 | 3/4 | 3/8 | 7/8 | 3/8 | 3/4 | 3/8 | 0.075 | A4TXV01 |
| | E(C,H,M,U)1P49C | A95UH2V110C20S | 13.50 | 11.00 | 40000 | 29200 | 1400 | 3/4 | 3/8 | 7/8 | 3/8 | 3/4 | 3/8 | 0.075 | A4TXV01 |
| | E(C,H,M,U)1P49C | A97DSMV090C16 | 13.50 | 11.00 | 40000 | 29200 | 1400 | 3/4 | 3/8 | 7/8 | 3/8 | 3/4 | 3/8 | 0.075 | A4TXV01 |
| | E(C,H,M,U)1P49C | A97DSMV110C20 | 13.50 | 11.00 | 40000 | 29200 | 1400 | 3/4 | 3/8 | 7/8 | 3/8 | 3/4 | 3/8 | 0.075 | A4TXV01 |
| | E(C,H,M,U)1P49C | A97USMV090C16 | 13.50 | 11.00 | 40000 | 29200 | 1400 | 3/4 | 3/8 | 7/8 | 3/8 | 3/4 | 3/8 | 0.075 | A4TXV01 |
| | E(C,H,M,U)1P49C | A97USMV090C20 | 13.50 | 11.00 | 40000 | 29200 | 1400 | 3/4 | 3/8 | 7/8 | 3/8 | 3/4 | 3/8 | 0.075 | A4TXV01 |
| | E(C,H,M,U)1P49C | A97USMV110C20 | 13.50 | 11.00 | 40000 | 29200 | 1400 | 3/4 | 3/8 | 7/8 | 3/8 | 3/4 | 3/8 | 0.075 | A4TXV01 |
| | E(C,H,M,U)1P49C | A96DFMV090C16 | 13.50 | 11.00 | 40000 | 29200 | 1400 | 3/4 | 3/8 | 7/8 | 3/8 | 3/4 | 3/8 | 0.075 | A4TXV01 |
| | E(C,H,M,U)1P49C | A96DFMV110C20 | 13.50 | 11.00 | 40000 | 29200 | 1400 | 3/4 | 3/8 | 7/8 | 3/8 | 3/4 | 3/8 | 0.075 | A4TXV01 |
| | E(C,H,M,U)1P49C | A96UHMV090C16 | 13.50 | 11.00 | 40000 | 29200 | 1400 | 3/4 | 3/8 | 7/8 | 3/8 | 3/4 | 3/8 | 0.075 | A4TXV01 |
| | E(C,H,M,U)1P49C | A96UHMV090C20 | 13.50 | 11.00 | 40000 | 29200 | 1400 | 3/4 | 3/8 | 7/8 | 3/8 | 3/4 | 3/8 | 0.075 | A4TXV01 |
| | E(C,H,M,U)1P49C | A96UHMV110C20 | 13.50 | 11.00 | 40000 | 29200 | 1400 | 3/4 | 3/8 | 7/8 | 3/8 | 3/4 | 3/8 | 0.075 | A4TXV01 |
| | E(C,H,M,U)1P49C | LUF80*112/125V20 | 13.50 | 11.00 | 40000 | 29200 | 1400 | 3/4 | 3/8 | 7/8 | 3/8 | 3/4 | 3/8 | 0.075 | A4TXV01 |
| | E(C,H,M,U)1P50C | A80DF1E110C20 | 13.50 | 11.00 | 40000 | 29200 | 1400 | 3/4 | 3/8 | 7/8 | 3/8 | 3/4 | 3/8 | 0.075 | A4TXV01 |
| | E(C,H,M,U)1P50C | A80DF2V110C20 | 13.50 | 11.00 | 40000 | 29200 | 1400 | 3/4 | 3/8 | 7/8 | 3/8 | 3/4 | 3/8 | 0.075 | A4TXV01 |
| | E(C,H,M,U)1P50C | A80UH1E090C20* | 13.50 | 11.00 | 40000 | 29200 | 1400 | 3/4 | 3/8 | 7/8 | 3/8 | 3/4 | 3/8 | 0.075 | A4TXV01 |
| | E(C,H,M,U)1P50C | A80UH1E110C20* | 13.50 | 11.00 | 40000 | 29200 | 1400 | 3/4 | 3/8 | 7/8 | 3/8 | 3/4 | 3/8 | 0.075 | A4TXV01 |
| | E(C,H,M,U)1P50C | A80UH2V090C20 | 13.50 | 11.00 | 40000 | 29200 | 1400 | 3/4 | 3/8 | 7/8 | 3/8 | 3/4 | 3/8 | 0.075 | A4TXV01 |
| | E(C,H,M,U)1P50C | A95DF1E110C20S | 13.50 | 11.00 | 40000 | 29200 | 1400 | 3/4 | 3/8 | 7/8 | 3/8 | 3/4 | 3/8 | 0.075 | A4TXV01 |
| | E(C,H,M,U)1P50C | A95UH2V090C16S | 13.50 | 11.00 | 40000 | 29200 | 1400 | 3/4 | 3/8 | 7/8 | 3/8 | 3/4 | 3/8 | 0.075 | A4TXV01 |
| | E(C,H,M,U)1P50C | A95UH2V090C20S | 13.50 | 11.00 | 40000 | 29200 | 1400 | 3/4 | 3/8 | 7/8 | 3/8 | 3/4 | 3/8 | 0.075 | A4TXV01 |

Note:

¹ Certified in accordance with Unitary Air Conditioner Certification Program, which is based on AHRI Standard 210/240

² Required to achieve AHRI rating. If NA (Not Applicable) is in the piston column, then TXV is required.

³ A blower time delay relay is required to achieve AHRI rating. This feature is standard on all Allied Air Enterprises furnace and AH products.

13 SEER Split System Air Conditioner

Cooling Performance with Air Handlers and Furnaces 42, 48, 60

| Outdoor Model | Indoor Model | Variable Speed Furnace | SEER | EER | Rated ARI Capacity ¹ BTUH | Rated Sensible Capacity BTUH | CFM | Refrigerant Connection | | | | Refrigerant Line Size | | Indoor Expansion Device | |
|-------------------|---|------------------------|-------|-------|--------------------------------------|------------------------------|------|------------------------|--------|---------|--------|-----------------------|--------|-------------------------|---------|
| | Evaporator Coil or Air Handler ³ | | | | | | | Outdoor | | Indoor | | Suction | Liquid | Piston ² | TXV |
| | | | | | | | | Suction | Liquid | Suction | Liquid | | | | |
| 4AC13L 42P-7,8 | E(C,H,M,U)1P50C | A95UH2V110C16S | 13.50 | 11.00 | 40000 | 29200 | 1400 | 3/4 | 3/8 | 7/8 | 3/8 | 3/4 | 3/8 | 0.075 | A4TXV01 |
| | E(C,H,M,U)1P50C | A95UH2V110C20S | 13.50 | 11.00 | 40000 | 29200 | 1400 | 3/4 | 3/8 | 7/8 | 3/8 | 3/4 | 3/8 | 0.075 | A4TXV01 |
| | E(C,H,M,U)1P50C | A97USMV090C16 | 13.50 | 11.00 | 40000 | 29200 | 1400 | 3/4 | 3/8 | 7/8 | 3/8 | 3/4 | 3/8 | 0.075 | A4TXV01 |
| | E(C,H,M,U)1P50C | A97USMV090C20 | 13.50 | 11.00 | 40000 | 29200 | 1400 | 3/4 | 3/8 | 7/8 | 3/8 | 3/4 | 3/8 | 0.075 | A4TXV01 |
| | E(C,H,M,U)1P50C | A97USMV110C20 | 13.50 | 11.00 | 40000 | 29200 | 1400 | 3/4 | 3/8 | 7/8 | 3/8 | 3/4 | 3/8 | 0.075 | A4TXV01 |
| | E(C,H,M,U)1P50C | A96UHMV090C16 | 13.50 | 11.00 | 40000 | 29200 | 1400 | 3/4 | 3/8 | 7/8 | 3/8 | 3/4 | 3/8 | 0.075 | A4TXV01 |
| | E(C,H,M,U)1P50C | A96UHMV090C20 | 13.50 | 11.00 | 40000 | 29200 | 1400 | 3/4 | 3/8 | 7/8 | 3/8 | 3/4 | 3/8 | 0.075 | A4TXV01 |
| | E(C,H,M,U)1P50C | A96UHMV110C20 | 13.50 | 11.00 | 40000 | 29200 | 1400 | 3/4 | 3/8 | 7/8 | 3/8 | 3/4 | 3/8 | 0.075 | A4TXV01 |
| 4AC13L 48P-7,8 | BCS2M48C****P | | 13.00 | 11.00 | 47000 | 34300 | 1600 | 7/8 | 3/8 | 7/8 | 3/8 | 7/8 | 3/8 | 0.082 | A4TXV02 |
| | BCS3M48C****P | | 13.00 | 11.00 | 47000 | 34300 | 1600 | 7/8 | 3/8 | 7/8 | 3/8 | 7/8 | 3/8 | 0.082 | A4TXV02 |
| | BCE3M48C****P | | 13.00 | 11.00 | 47000 | 34300 | 1600 | 7/8 | 3/8 | 7/8 | 3/8 | 7/8 | 3/8 | 0.082 | A4TXV02 |
| | BCS2M48V****P | | 13.50 | 11.00 | 47000 | 34300 | 1600 | 7/8 | 3/8 | 7/8 | 3/8 | 7/8 | 3/8 | 0.082 | A4TXV02 |
| 4AC13L 60P-7,8 | BCS2M60C****P | | 13.00 | 11.00 | 57000 | 41000 | 1800 | 7/8 | 3/8 | 7/8 | 3/8 | 7/8 | 3/8 | 0.090 | A4TXV02 |
| | BCS3M60C****P | | 13.00 | 11.00 | 56000 | 40200 | 1800 | 7/8 | 3/8 | 7/8 | 3/8 | 7/8 | 3/8 | 0.090 | A4TXV02 |
| | BCE3M60C****P | | 13.00 | 11.00 | 56000 | 40200 | 1800 | 7/8 | 3/8 | 7/8 | 3/8 | 7/8 | 3/8 | 0.090 | A4TXV02 |
| | BCS2M60V****P | | 13.50 | 11.00 | 57000 | 41000 | 1800 | 7/8 | 3/8 | 7/8 | 3/8 | 7/8 | 3/8 | 0.090 | A4TXV02 |

Note:

¹ Certified in accordance with Unitary Air Conditioner Certification Program, which is based on AHRI Standard 210/240

² Required to achieve AHRI rating. If NA (Not Applicable) is in the piston column, then TXV is required.

³ A blower time delay relay is required to achieve AHRI rating. This feature is standard on all Allied Air Enterprises furnace and AH products.

Cooling Performance — Extended Ratings

| Outdoor Model | Indoor Model Piston or Field Installed TXV | Indoor Temp DB/WB °F | Outdoor Temp - DB°F | | | | | | | | | | | | | | |
|----------------|---|----------------------|---------------------|------|------|--------|------|------|--------|------|------|--------|------|------|--------|------|------|
| | | | 65 | | | 82 | | | 95 | | | 105 | | | 115 | | |
| | | | Btuh | S/T | kW | Btuh | S/T | kW | Btuh | S/T | kW | Btuh | S/T | kW | Btuh | S/T | kW |
| 4AC13*18P-7, 8 | E*1P24 | 85/72 | 23,500 | 0.63 | 1.27 | 21,200 | 0.65 | 1.52 | 20,700 | 0.68 | 1.66 | 18,500 | 0.70 | 1.83 | 18,000 | 0.73 | 2.00 |
| | | 80/67 | 21,600 | 0.68 | 1.25 | 20,600 | 0.70 | 1.41 | 19,000 | 0.73 | 1.64 | 18,000 | 0.78 | 1.80 | 16,600 | 0.81 | 2.02 |
| | | 75/63 | 20,200 | 0.74 | 1.26 | 18,500 | 0.76 | 1.35 | 17,000 | 0.80 | 1.64 | 15,100 | 0.83 | 1.80 | 14,200 | 0.88 | 1.99 |
| | | 75/57 | 18,200 | 1.00 | 1.26 | 16,300 | 1.00 | 1.30 | 15,700 | 1.00 | 1.65 | 14,300 | 1.00 | 1.81 | 13,400 | 1.00 | 1.99 |
| 4AC13*24P-7, 8 | E*1P24 | 85/72 | 29,500 | 0.63 | 1.61 | 27,400 | 0.65 | 1.99 | 25,900 | 0.68 | 2.12 | 23,500 | 0.72 | 2.34 | 22,400 | 0.73 | 2.58 |
| | | 80/67 | 27,200 | 0.70 | 1.59 | 25,300 | 0.72 | 1.95 | 23,600 | 0.76 | 2.10 | 20,500 | 0.79 | 2.31 | 19,600 | 0.83 | 2.54 |
| | | 75/63 | 25,500 | 0.73 | 1.57 | 24,100 | 0.75 | 1.91 | 21,200 | 0.80 | 2.08 | 19,600 | 0.81 | 2.29 | 17,600 | 0.87 | 2.50 |
| | | 75/57 | 22,800 | 1.00 | 1.56 | 21,600 | 1.00 | 1.89 | 19,200 | 1.00 | 2.06 | 18,400 | 1.00 | 2.28 | 16,600 | 1.00 | 2.50 |
| 4AC13*30P-7, 8 | E*1P24 | 85/72 | 35,100 | 0.62 | 1.96 | 33,100 | 0.65 | 2.41 | 31,000 | 0.67 | 2.57 | 28,400 | 0.69 | 3.00 | 26,800 | 0.72 | 3.17 |
| | | 80/67 | 33,000 | 0.68 | 1.92 | 31,500 | 0.69 | 2.39 | 29,500 | 0.75 | 2.56 | 26,500 | 0.79 | 2.97 | 23,800 | 0.82 | 3.13 |
| | | 75/63 | 31,000 | 0.71 | 1.90 | 29,100 | 0.73 | 2.31 | 26,200 | 0.77 | 2.51 | 24,300 | 0.82 | 2.95 | 21,900 | 0.84 | 3.09 |
| | | 75/57 | 29,500 | 1.00 | 1.89 | 26,400 | 1.00 | 2.10 | 24,000 | 1.00 | 2.48 | 22,100 | 1.00 | 2.89 | 19,600 | 1.00 | 3.01 |
| 4AC13*36P-7, 8 | E*1P36 | 85/72 | 42,100 | 0.61 | 2.40 | 39,890 | 0.64 | 2.86 | 38,200 | 0.67 | 3.22 | 35,650 | 0.70 | 3.61 | 33,100 | 0.73 | 3.99 |
| | | 80/67 | 39,900 | 0.68 | 2.38 | 37,010 | 0.73 | 2.85 | 34,800 | 0.76 | 3.21 | 32,150 | 0.79 | 3.58 | 29,500 | 0.81 | 3.95 |
| | | 75/63 | 37,900 | 0.71 | 2.36 | 34,727 | 0.75 | 2.82 | 32,300 | 0.78 | 3.17 | 29,600 | 0.82 | 3.53 | 26,900 | 0.86 | 3.88 |
| | | 75/57 | 35,800 | 1.00 | 2.33 | 32,570 | 1.00 | 2.77 | 30,100 | 1.00 | 3.11 | 27,150 | 1.00 | 3.47 | 24,200 | 1.00 | 3.82 |
| 4AC13*43P-7, 8 | E*1P43 | 85/72 | 52,200 | 0.61 | 2.97 | 49,100 | 0.63 | 3.56 | 46,900 | 0.65 | 3.91 | 44,800 | 0.69 | 4.62 | 41,300 | 0.70 | 4.79 |
| | | 80/67 | 48,300 | 0.68 | 2.92 | 44,200 | 0.73 | 3.49 | 42,300 | 0.75 | 3.89 | 40,200 | 0.77 | 4.52 | 36,400 | 0.79 | 4.69 |
| | | 75/63 | 45,100 | 0.72 | 2.88 | 41,600 | 0.72 | 3.35 | 39,200 | 0.77 | 3.80 | 37,100 | 0.81 | 4.49 | 32,400 | 0.83 | 4.59 |
| | | 75/57 | 40,300 | 1.00 | 2.83 | 38,200 | 1.00 | 3.34 | 35,500 | 1.00 | 3.74 | 34,000 | 1.00 | 4.45 | 32,200 | 1.00 | 4.50 |
| 4AC13*48P-7, 8 | E*1P49 | 85/72 | 61,100 | 0.63 | 3.56 | 57,870 | 0.65 | 4.50 | 55,400 | 0.66 | 4.57 | 52,000 | 0.69 | 5.03 | 48,600 | 0.71 | 5.48 |
| | | 80/67 | 56,800 | 0.69 | 3.49 | 53,230 | 0.71 | 4.06 | 50,500 | 0.73 | 4.50 | 46,800 | 0.76 | 4.95 | 43,100 | 0.79 | 5.39 |
| | | 75/63 | 53,300 | 0.72 | 3.44 | 49,447 | 0.75 | 4.01 | 46,500 | 0.77 | 4.44 | 42,800 | 0.80 | 4.92 | 39,100 | 0.83 | 5.39 |
| | | 75/57 | 47,000 | 1.00 | 3.39 | 43,713 | 1.00 | 3.95 | 41,200 | 1.00 | 4.38 | 38,500 | 1.00 | 4.85 | 35,800 | 1.00 | 5.31 |
| 4AC13*60P-7, 8 | E*1P49 | 85/72 | 69,800 | 0.61 | 4.02 | 66,457 | 0.63 | 4.75 | 63,900 | 0.64 | 5.30 | 59,950 | 0.67 | 5.87 | 56,000 | 0.69 | 6.44 |
| | | 80/67 | 65,400 | 0.68 | 3.96 | 61,490 | 0.70 | 4.72 | 58,500 | 0.71 | 5.30 | 54,600 | 0.74 | 5.83 | 50,700 | 0.77 | 6.36 |
| | | 75/63 | 61,400 | 0.71 | 3.90 | 56,923 | 0.73 | 4.59 | 53,500 | 0.75 | 5.12 | 49,650 | 0.78 | 5.70 | 45,800 | 0.81 | 6.27 |
| | | 75/57 | 45,400 | 1.00 | 3.83 | 46,760 | 1.00 | 4.54 | 47,800 | 1.00 | 5.09 | 45,600 | 1.00 | 5.67 | 43,400 | 1.00 | 6.24 |

Note: Extended data shown is actual for models listed and typical for all AHRI matches.

* = Louvered

13 SEER Split System Air Conditioner

Accessories

| Description | Where Used | Catalog Number |
|----------------------------|----------------------------|----------------|
| Crankcase Heater | 18, 24, 30, 36 | 93M04 |
| Crankcase Heater | 42, 48, 60 | 93M05 |
| Hard Start Kit | 18 | 10J42 |
| Hard Start kit | 24, 30, 36, 42, 48, 60 | 88M91 |
| Compressor Low Ambient Kit | 18, 24, 30, 36, 42, 48, 60 | 45F08 |
| Sound Blanket | 18, 24, 30, 36, 42, 48, 60 | 69J03 |
| Short Cycle Protector | 18, 24, 30, 36, 42, 48, 60 | 47J27 |
| Freezestat | 3/8" tubing | 93G35 |
| Freezestat | 5/8" tubing | 50A93 |
| Time Delay Relay | 18, 24, 30, 36, 42, 48, 60 | 58M81 |
| Loss of Charge Kit | 18, 24, 30, 36, 42, 48, 60 | 84M23 |
| TXV Kit | 18 - 36 | A4TXV01 |
| TXV Kit | 42 - 60 | A4TXV02 |



(800) 448-5872

www.armstrongair.com

All specifications and illustrations subject to change without notice and without incurring obligations.